

SEGWAY

Segway Portable Power Station

CUBE-1000 / CUBE-2000

————— User Manual —————

Contents

1. Safety Instructions	01
2. Packing List	04
3. Product Overview	05
4. How to Use the Power Station	09
5. How to Recharge the Power Station	12
6. Settings	15
7. App User Guide	17
8. Specifications	19
9. Troubleshooting	20
10. Certification	21
11. Trademark and Legal Statement	23
Appendix: Battery Expansion	25

1 Safety Instructions

IMPORTANT SAFETY INSTRUCTIONS

- **WARNING** – When using this product, basic precautions should always be followed, including the following:
- Read all the instructions before using the product.
- To reduce the risk of injury, close supervision is necessary when the product is used near children.
- Do not put fingers or hands into the product.
- Use of an attachment not recommended or sold by power pack manufacturer may result in a risk of fire, electric shock, or injury to persons.
- To reduce risk of damage to the electric plug and cord, pull the plug rather than the cord when disconnecting the power pack.
- Do not use a battery pack or appliance that is damaged or modified. Damaged or modified batteries may exhibit unpredictable behavior resulting in fire, explosion or risk of injury.
- Do not operate the power pack with a damaged cord or plug, or a damaged output cable.
- Do not disassemble the power pack, take it to a qualified service person when service or repair is required. Incorrect reassembly may result in a risk of fire or electric shock.
- To reduce the risk of electric shock, unplug the power pack from the outlet before attempting any instructed servicing.
- When charging the internal battery, work in a well ventilated area and do not restrict ventilation in any way.
- Under abusive conditions, liquid may be ejected from the battery; avoid contact. If contact accidentally occurs, flush with water. If liquid contacts eyes, additionally seek medical help. Liquid ejected from the battery may cause irritation or burns.
- Do not expose a power pack to fire or excessive temperature. Exposure to fire or temperature above 265°F (130°C) may cause explosion.
- Have servicing performed by a qualified repair person using only identical replacement parts. This will ensure that the safety of the product is maintained.
- Do not expose the product to sources of ignition or high temperatures, such as high heat vehicles or direct sunlight.
- Keep the product dry and do not immerse it in water or subject it to moisture. Do not use the product in rainy or humid environments.
- Avoid using the product in a strong static/magnetic field environment.
- When using the product, please follow the operating ambient temperature specified in the user manual. If the temperature is too high, it may cause a fire or explosion; if the temperature is too low, it may seriously degrade the performance of the product or stop the product from working.
- When storing the product for a long time, place it in a dry and ventilated place.

- Avoid obstructing the fan or placing the product in an unventilated or dusty area.
- Do not disassemble the product or pierce the product with sharp objects.
- Avoid impact, falling or violent vibration. If a serious impact occurs, please turn off the power and stop using the product immediately.
- Avoid using wires or other metal objects that may cause a short circuit.
- Do not use damaged cords, plugs or output cables to connect this product to avoid electric shock.
- Do not use unofficial components or accessories. If you need to replace any component or accessory, consult the official Segway channel.
- Do not stack heavy objects on the product.
- Do not place the product on an unstable surface to prevent the product from tipping over or falling.
- Ensure that the product is kept out of the reach of children and pets.
- This product is not recommended for powering medical emergency equipment related to personal safety, including medical grade ventilators and artificial lungs. If you need to power this product, follow your doctor's instructions and consult the manufacturer. If used for general medical equipment, make sure the power supply is in proper condition.
- When using this product, the power supply generates electromagnetic fields that may interfere with the proper operation of medical implants or personal medical devices such as pacemakers, cochlear implants, hearing aids, defibrillators, etc. If these devices are being used, please contact the manufacturer for restrictions on the use of these devices to ensure that medical implants are kept at a safe distance from this product during use.
- Risk of Electric Shock. Never use power pack to supply power tools to cut or access to live parts or live wirings, or materials that may contain live parts or live wirings inside, such as building walls, etc.

SAVE THESE INSTRUCTIONS

GROUNDING INSTRUCTIONS

This product must be grounded. If it should malfunction or breakdown, grounding provides a path of least resistance for electric current to reduce the risk of electric shock. This product is equipped with a cord having an equipment grounding conductor and a grounding plug. The plug must be plugged into an outlet that is properly installed and grounded in accordance with all local codes ordinances.

WARNING – Improper connection of the equipment grounding conductor is able to result in a risk of electric shock. Check with a qualified electrician if you are in doubt as to whether the product is properly grounded. Do not modify the plug provided with the product – if it will not fit the outlet, have a proper outlet installed by a qualified electrician.

Daily Maintenance

If the product is not in use for over 30 days, please fully charge it and place it in a cool and dry place for storage. If not charged maximum in 6 months, there are enough chances that battery might be damaged.

Battery Disposal Guidelines

- When disposing of the battery, make sure that it is fully discharged and place it in the designated battery recycling bin.
- The battery of this product contains chemical substances and is strictly prohibited to be disposed of in the general trash. Please follow local laws and regulations for battery recycling and disposal.
- If the battery cannot be fully discharged due to product failure, please do not dispose of the battery directly in the battery recycling bin. Please contact a professional battery recycling company for further disposal.

Safety Precautions When Charging

- When using two or more solar panels to recharge the product, please use the same type of solar panel. The product can be connected with one, two, or four solar panels. When using four solar panels to recharge the product, make sure the connection between the solar panels is two in series and two in parallel.
- Do not recharge the product with car charging cables and solar panels at the same time, which may damage the fuse.
- It is recommended to use Segway Accessories - Segway Solar Panel SP for solar charging. Use of other brands of solar panels may cause damage for which we are not responsible.

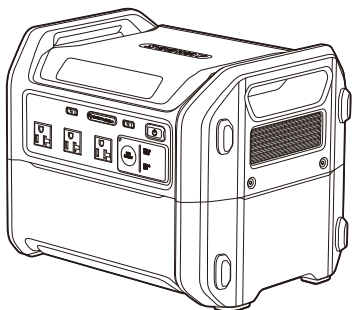
High Temperature Warning

The product temperature may be too high for powering high-power electric appliances for a long time, and the high-temperature protection may be triggered. For battery safety, the product will automatically limit the output power to lower the temperature. If the limit was reached, the output will be cut off and the charge function will be unavailable. Please stop using the high power loads immediately if this warning appears, cool down the product, then try to use it again.

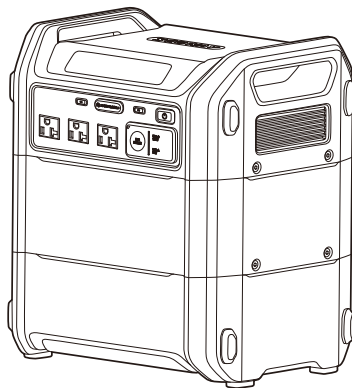
We take your safety and the protection of our products very seriously. If you have any questions or suggestions, please contact Segway Customer Service.

2 Packing List

Segway Portable Power Station:



CUBE-1000 x 1



CUBE-2000 x 1

Accessories:



AC Charging Cable x 1



Car Charging Cable x 1



(7/64") 3 mm
Allen Wrench x 1

* For CUBE-2000 only

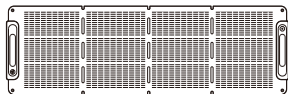


User Manual x 1

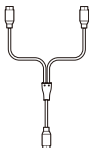


Warranty Policy x 1

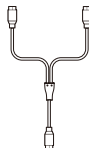
* Separately Sold Accessories



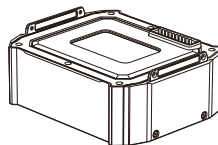
Segway Solar Panel SP



Serial Connector



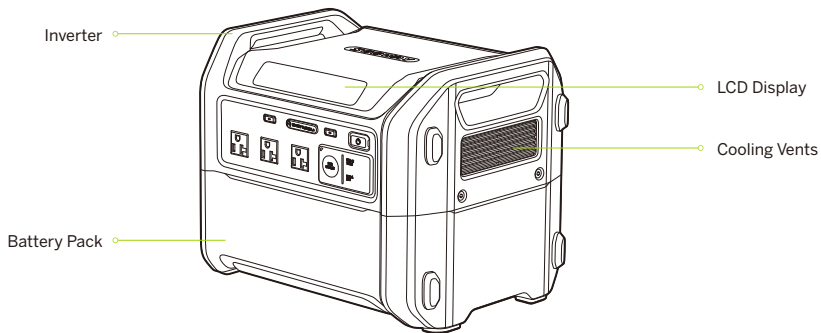
Parallel Connector



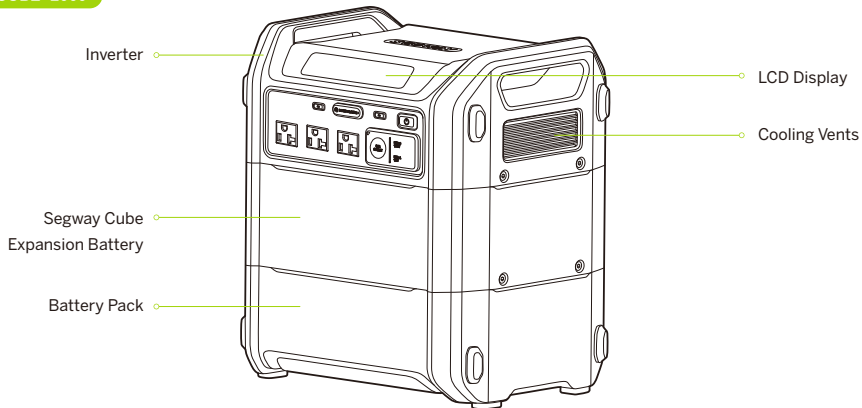
Segway Cube Expansion Battery

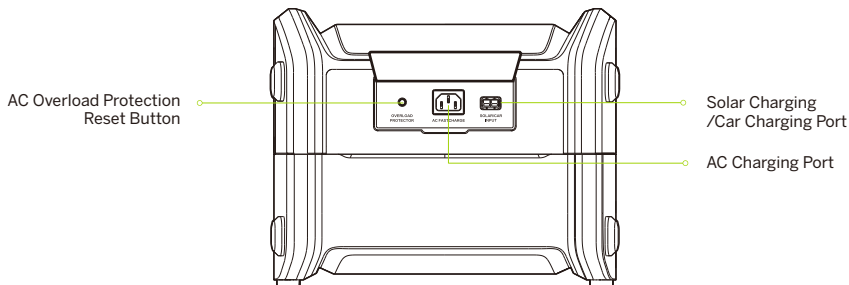
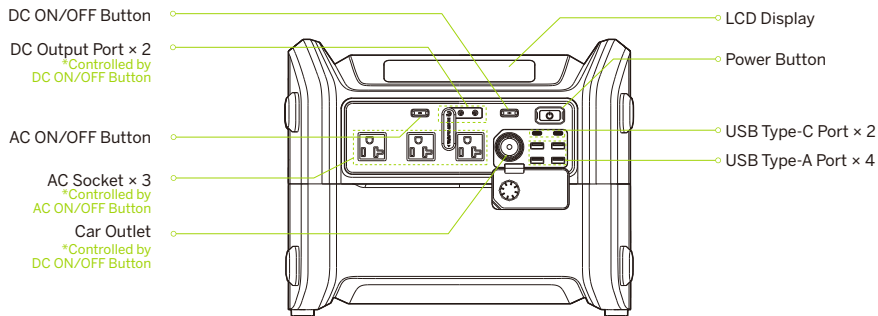
3 Product Overview

CUBE-1000

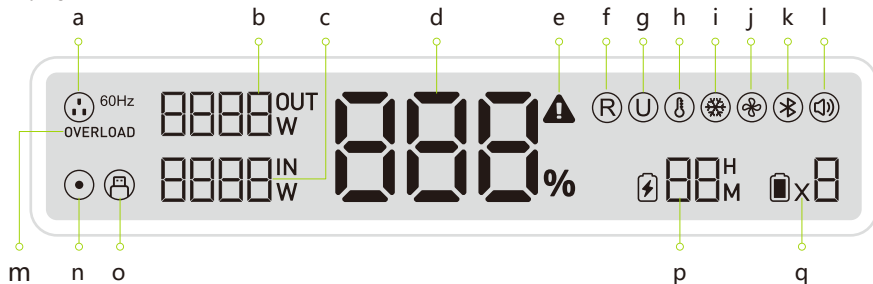


CUBE-2000





Display Overview



AC Output

The plug icon displayed as AC Output, the output frequency is 60 Hz.



Output Power



Input Power



Battery Power



Warning

When the icon lights up, it means high temperature protection, low temperature protection or AC overload protection is triggered.



R-Drive

Intelligently adjust the operating power of electric appliances and ensure them work at the rated power of the inverter. Support up to 4400 W loads.



UPS (Uninterruptible Power Supply)

Automatically switch to inverter-powered if AC input was cut off by power grid failure and make sure electric appliances work normally.



High Temperature Protection

Partial input/output power will be decreased automatically when the device temperature is too high.



Low Temperature Protection

Partial input/output power will be decreased automatically when the device temperature is too low.



Cooling Fan

The icon indicates that the fan is working.



Bluetooth

The icon flashes while pairing, and it stays on when the device is connected successfully.



Button Tone



OVERLOAD

AC Output Overload



DC Output/Car Outlet



USB Output



Remaining Discharge/Charge Time



4 How to Use the Power Station

* Illustrated with CUBE-1000

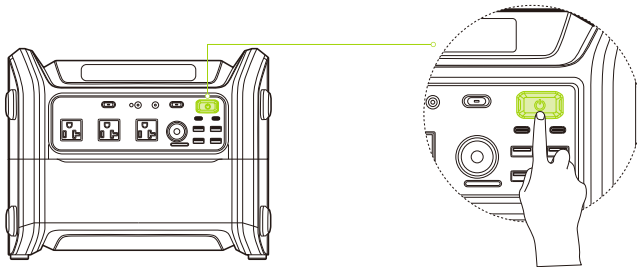
1 Turn on/off

Press and hold the Power Button for over 1 second to turn it on/off.

Press the Power Button to wake up or dim the screen when the power station is on.

Turned on: The power station beeps once and the button indicator lights white.

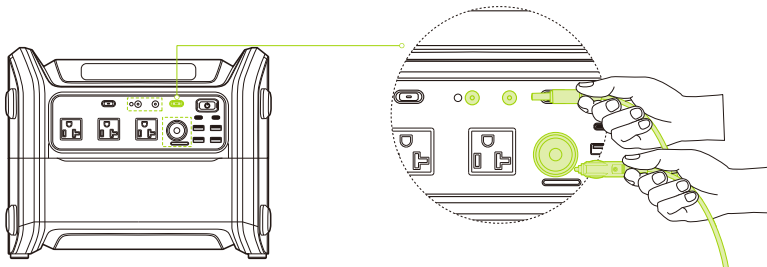
Turned off: The power station beeps once and the button indicator goes off.



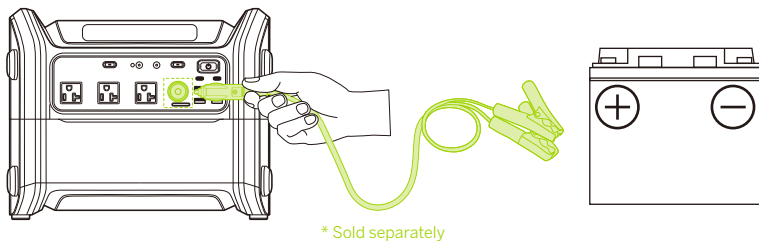
2 DC Output

* DC output port × 2 / Car outlet × 1

a) When the power station is on, press the DC ON/OFF Button to turn on DC output, connect the device to DC output port.

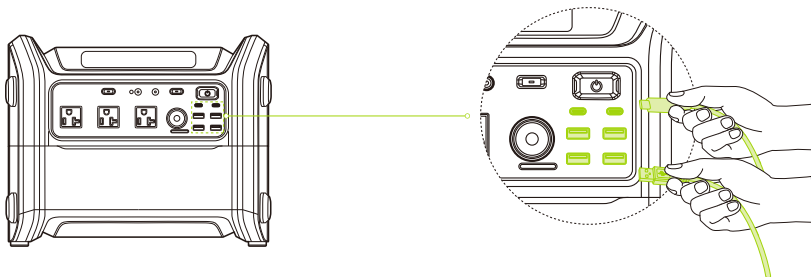


- b) Press the DC ON/OFF Button to turn on car outlet. Car outlet supports constant current output, and can use the specific cable to charge the car battery. (only for charging, can not be used to jump-start the vehicle.)



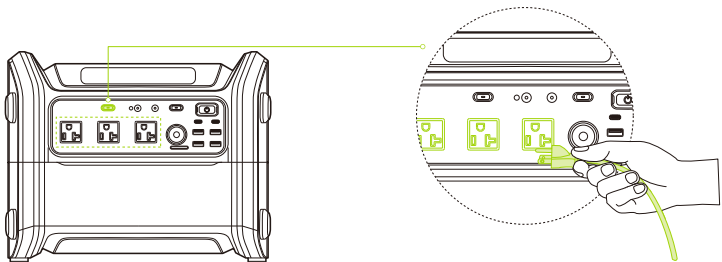
3 USB Output

Connect the device to the USB output port.



4 AC Output

When the power station is on, press the AC ON/OFF Button to turn on AC output, connect the device to the AC socket.

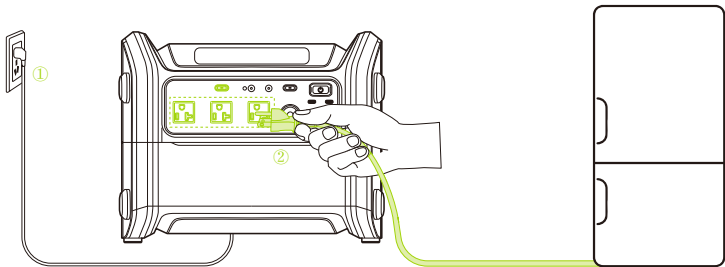


5 UPS Function

When the UPS function is turned on:

- ① Plug the AC charging cable into the wall outlet and connect the other end to the AC charging port of the power station.
- ② Press the AC ON/OFF Button to turn on the AC output, connect the AC device to the AC socket.

* At this point, UPS function is activated, and the power station will automatically switch to inverter-powered when the power grid fails.

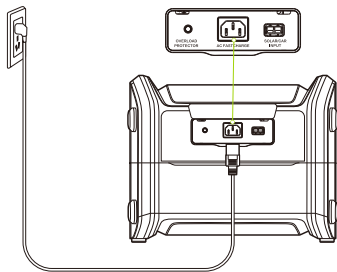


5 How to Recharge the Power Station

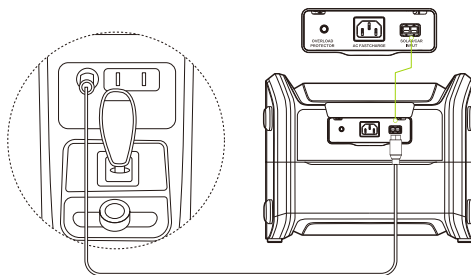


The power station has two charging ports, AC charging port and solar/car charging port. When recharging the power station, the display will show the charging status. There are five charging methods as below, dual-charging is also available.

- 1 AC charging
- 2 Car charging
- 3 Solar charging
- 4 AC and solar charging
- 5 AC and car charging



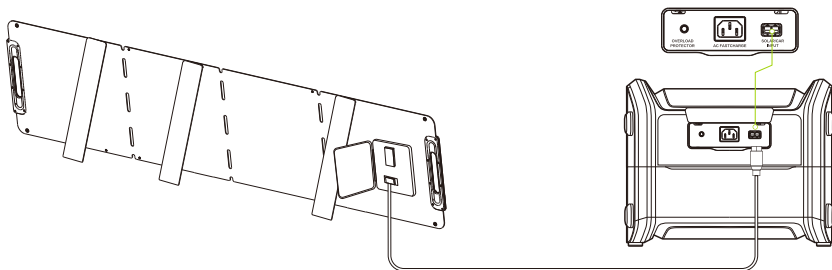
AC charging



Car charging

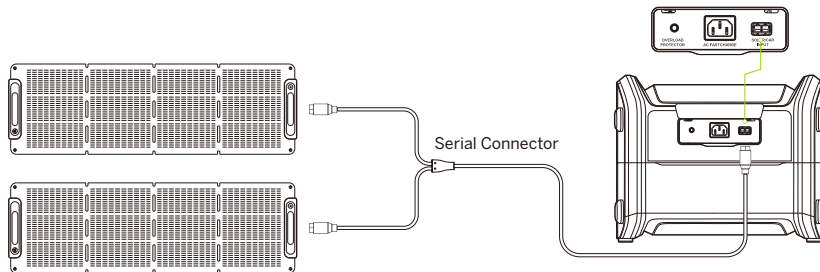
Solar Charging

a. Single solar panel



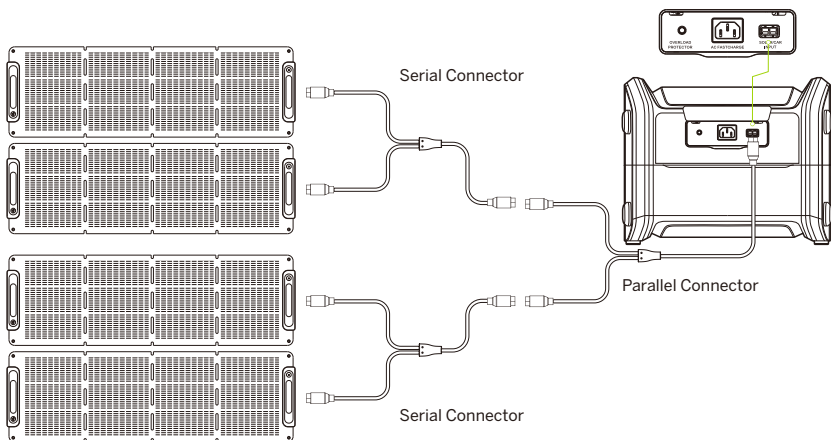
b. Multiple solar panels

2 panels



4 panels

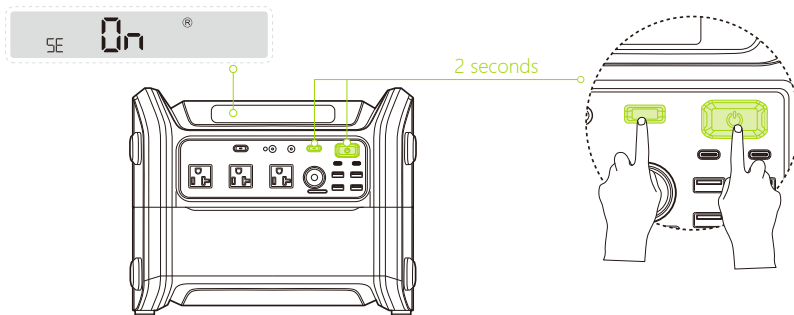
* Up to 4 panels/Max 800 W



6 Settings

When the power station is off, press and hold the DC ON/OFF Button and Power Button for 2 seconds at the same time to go to settings.

Note: Charging and discharging are not available during setting.



Basic operations of buttons

Power Button: Press to save and exit settings.










AC ON/OFF Button: Go to the next setting.

DC ON/OFF Button: Switch between the options of the current setting.

Settings

Note: It is recommended to customize these settings directly via Segway-Ninebot App.

Icon	Setting	Display	Options
Ⓜ	R-Drive ^[1]	 	<p>The default setting is on. The function can be turned on/off.</p> <p>* This function is applicable to resistive appliances only. Turn off this function immediately if the appliances can not work normally.</p>

Icon	Setting	Display	Options
	UPS (Uninterruptible Power Supply) ²⁾	 	The default setting is on. The function can be turned on/off.
	Fan Mode	 	Two modes are available. Active cooling mode: The fan works automatically and keeps the power station maintained at a relatively low temperature. Silent mode: The fan works automatically and runs at a relatively low speed and frequency.
	Button Tone	 	The default setting is on. The button sound can be turned on/off.

Features

1 R-Drive

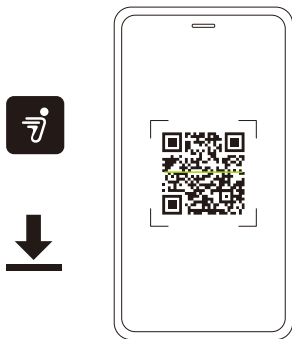
This function is not applicable to all electric appliances but for resistive appliances only, such as hair dryers and electric kettles. Please test the compatibility before use. High-power appliances like air conditioners, coffee makers, dryers, electric stoves, large refrigerators, microwave ovens, lawnmowers, ovens, and washing machines are not compatible.

2 UPS (Uninterruptible Power Supply)

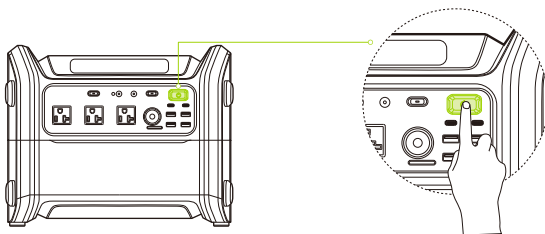
When you connect the power station to the AC power source, and then connect the appliances to the AC socket of the power station, the appliances will get power from the AC power source, not the power station. When the AC power source fails, the power station will automatically switch to inverter-powered for the appliances in 20-30 millisecond. The UPS function is the offline type and does not support 0ms-switch. Do not use the power station to charge devices that require a continuous power supply. Please test the compatibility before use.

7 App User Guide

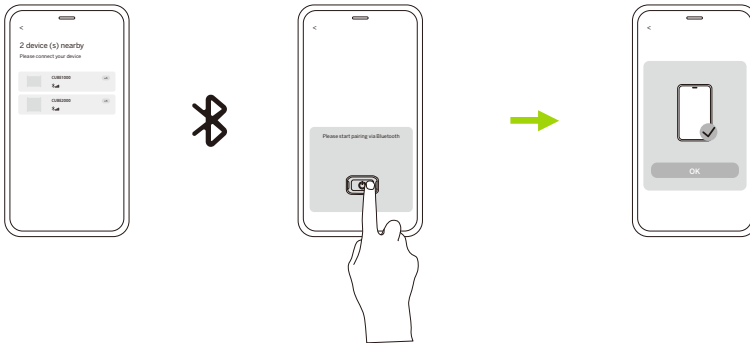
- 1 Scan the QR code to download the Segway-Ninebot App to register or log in.



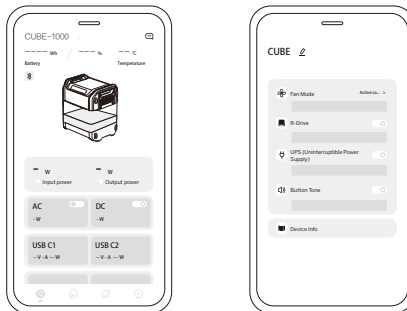
- 2 Press and hold the Power Button to turn on the power station.



- 3 Tap "Add device" and follow the instructions to connect to the power station via Bluetooth.



- 4 Customize the settings directly via the App. Check the real-time information of the remaining battery, temperature, input/output power of each input/output ports, etc.



8 Specifications

Power Station	Product Name	Segway Portable Power Station Cube	
	Model	CUBE-1000	CUBE-2000
	L x W x H*	13.9 × 11.3 × 11.1 in (354 × 289 × 284 mm)	13.9 × 11.3 × 15.7 in (354 × 289 × 399 mm)
	Net Weight*	35.7 lbs (16.2 kg)	57.5 lbs (26.1 kg)
	Inverter Model	CUBE-IV-2200	
	Included Battery Pack Model	CUBE-BT-1000	CUBE-BT-1000, CUBE-BTX-1000
	Rated Frequency	60 Hz	
	Max. Power of Output in Total	2200 W	2584 W
	AC Max. Output Power	2200 W	
	DC Max. Output Power	384 W	
	AC Input	120 V~8 A 60 Hz 1250 W Max	
	Car Input	12 V/24 V~8 A 200 W Max	
	Solar Panel Input	12-60 V~800 W Max	
	AC Output (× 3)	120 V~20 A 60 Hz 2200 W Max (inverter mode, pure sine wave) / 120 V~ 60 Hz 12 A Max. (bypass mode)	
	Car Outlet	13.6 V~10 A 136 W Max	
	DC5525 Output (× 2)	13.6 V~5 A 68 W Max	
	USB Type-A Output (× 4)	5/9/12 V~3 A 18 W Max	
	USB Type-C Output (× 2)	5/9/12/15/20 V~5 A 100 W Max	
	Discharge Temperature	14°F~113°F (-10°C~45°C)	
Charge Temperature	41°F~113°F (5°C~45°C)		
Battery Pack	Model	CUBE-BT-1000	CUBE-BTX-1000
	L x W x H*	13.9 × 11.3 × 5.9 in (354 × 289 × 152 mm)	13.7 × 11.3 × 5.3 in (348 × 289 × 135 mm)
	Net Weight*	22 lbs (10 kg)	21.8 lbs (9.9 kg)
	Battery Type	LFP (LiFePO ₄) Battery	
	Nominal Capacity	20 Ah	
	Nominal Energy	1024 Wh	
	Nominal Voltage	51.2 V~	
	Max. Charging Voltage	57.6 V~	
	IP Rating	IP56	
	Battery Management System	Protection against over temperature, over current, over voltage.	

* It may slightly differ from the actual value due to different measuring tools and methods.

9 Troubleshooting

Error code	Possible causes	Solution
E01	Battery over temperature protection	Please cool down the battery
E02	Battery low temperature protection	Please make the battery back to the normal temperature.
E03	Battery undervoltage protection	Please charge immediately!
E04	Battery communication error 1	1. Turn off the power station and check if the battery pack is connected properly. 2. Restart the power station.
E05	Battery communication error 2	Note: if the error code still exists after operating with the above methods, the battery pack might have been damaged.
E06	Over temperature protection during charging	1. Please cool down the power station. 2. Check the fan and cooling vents, and apply heat dissipation for the power station.
E07	Over temperature protection during discharging	1. Please cool down the power station. 2. Check the fan and cooling vents, and apply heat dissipation for the power station.
E08	Solar charging abnormality	1. Check the solar panel type (80V/20A). If matched, the hardware circuit of the solar panel might have been damaged, please contact the after-sales service for support. 2. If not, please disconnect the solar panel.
E09	AC Input error	AC Input abnormality caused by unstable power grid, please disconnect the AC charging cable.
E10	Car output overload or short-circuit	Disconnect the loads. Turn off the DC output after 5 seconds and try again later.
E11	USB output overload or short-circuit	Disconnect the USB devices.
E12	AC output overload protection	Disconnect the loads. Turn off the AC output after 5 seconds and try again later.
E13	AC output short-circuit protection	
E14	Inverter malfunction	Disconnect the AC devices. Turn off the AC output after 5 seconds and try again later.
E15	Battery malfunction	Keep the power station stand still and restart it.
E16	Internal wires malfunction	Disconnect all the input/output devices and restart the power station.

* For the error code from E09 to E16, if the error code still exists after operating with the above methods, please contact the after-sales service for support.

10 Certification

Federal Communications Commission (FCC) Compliance Statement for USA

This device complies with part 15 of the FCC rules. Operation is subject to the following two conditions: (1) This device may not cause harmful interference, and (2) this device must accept any interference received, including interference that may cause undesired operation.

Any Changes or modifications not expressly approved by the party responsible for compliance could void the user's authority to operate the equipment.

NOTE

This equipment has been tested and found to comply with the limits for a Class B digital device, pursuant to part 15 of the FCC Rules. These limits are designed to provide reasonable protection against harmful interference in a residential installation. This equipment generates, uses and can radiate radio frequency energy and, if not installed and used in accordance with the instructions, may cause harmful interference to radio communications. However, there is no guarantee that interference will not occur in a particular installation. If this equipment does cause harmful interference to radio or television reception, which can be determined by turning the equipment off and on, the user is encouraged to try to correct the interference by one or more of the following measures:

- Reorient or relocate the receiving antenna.
- Increase the separation between the equipment and receiver.
- Connect the equipment into an outlet on a circuit different from that to which the receiver is connected.
- Consult the dealer or an experienced radio/TV technician for help.

This equipment complies with FCC radiation exposure limits set forth for an uncontrolled environment. This equipment should be installed and operated with minimum distance 20cm between the radiator & your body. Cet équipement est conforme aux limites d'exposition aux radiations de la IC définies pour un environnement non contrôlé. Cet équipement doit être installé et utilisé à une distance minimale de 20cm entre le radiateur et votre corps.

Industry Canada (IC) Compliance Statement for Canada

This device contains licence-exempt transmitter(s)/receiver(s) that comply with Innovation, Science and Economic Development Canada's licence-exempt RSS(s). Operation is subject to the following two conditions: (1) this device may not cause interference, and (2) this device must accept any interference, including interference that may cause undesired operation of the device. CAN ICES-3 (B)/NMB-3(B).

l'appareil contient des émetteurs/récepteurs exempts de licence qui sont conformes aux CNR exempts de licence d'Innovation, Sciences et Développement économique Canada. L'exploitation est soumise aux deux conditions suivantes : (1) l'appareil ne doit pas produire de brouillage, (2) l'utilisateur de l'appareil doit accepter tout brouillage radioélectrique subi, même si le brouillage est susceptible d'en compromettre le fonctionnement.

Bluetooth	Frequency Band(s)	2.4000-2.4835GHz
	Max. RF Power	20mW

FCC ID: 2BCKT-CN0001

IC: 31207-CN0001

11 Trademark and Legal Statement

Segway, Rider Design are trademarks of Segway Inc.; Ninebot is the trademark of Ninebot (Beijing) Tech Co., Ltd.; App Store® and Apple logo® are registered trademarks of Apple Inc.; The Bluetooth® word mark and logos are registered trademarks owned by Bluetooth SIG, Inc. and any use of such marks by Segway-Ninebot is under license. Other trademarks and trade names are those of their respective owners.

Due to the constant improvement of products, this manual and the actual products may be slightly different in color, appearance, etc. Actual products shall prevail when there is a discrepancy between the actual products and the manual.

©2023 Ninebot (Beijing) Technology Co., Ltd. All rights reserved.

Legal Statement

1. Before using the Segway Portable Power Station ("Product"), please carefully read the user manual to ensure proper usage after full comprehension. After reading, please keep the user manual safely for future reference. Failure to operate this product correctly may result in severe personal injuries to yourself or others, as well as product damage and property loss.
2. By using the Product, it is deemed that you fully understand, acknowledge, and accept all the terms and contents of this document. The user undertakes responsibility for their actions and all consequences arising from the use of the Product. Segway shall not be liable for any claim, liability, and loss related to such consequences if it is due to the user's assumption of risk.
3. Please do not allow individuals who have not carefully read this manual or are unfamiliar with the proper usage and safety precautions of the Product to use it.
4. Upon receiving the Product, please immediately inspect whether the product and its accessories are intact and complete. All accessories must be used as required by the instruction manual.
5. **Warning:** Any battery performance degradation or inability to function properly caused by the user's failure to use and maintain the battery properly is not covered under Limited Warranty.
6. To the extent permitted by law, Segway reserves the right to provide the final interpretation and explanation of this statement.

This Legal Statement shall be governed by the laws of the state where your Product is installed, except to the extent inconsistent with or pre-empted by federal law. Segway shall not be liable for any claims, liabilities, or losses resulting from the consumer's violation of the above statement.

You may choose to accept the above terms and use the product accordingly, or proceed with the return process according to the Limited Warranty. When returning the Product, please ensure the Product and packaging are intact to avoid affecting resale.

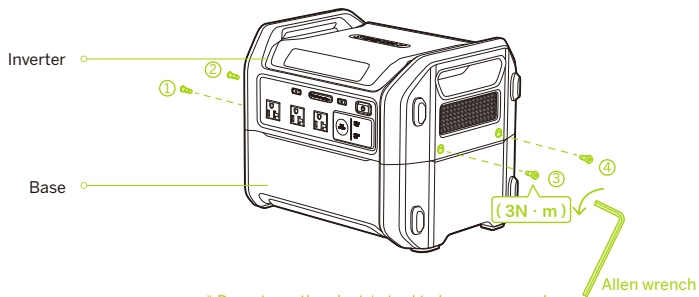
If you intend to resell or gift the Product, please remember to include this legal statement as it is an integral part of the Product.

If you have any questions or need assistance, Segway is pleased to be at your service.

Once again, we thank you for choosing and trusting our Product.

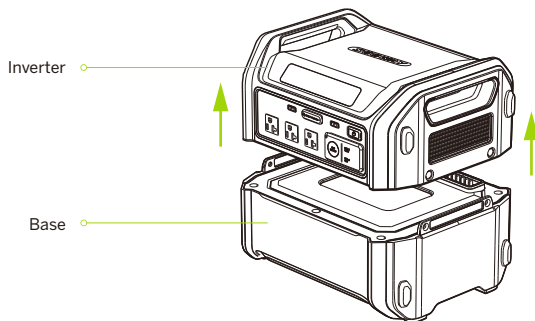
Appendix: Battery Expansion

- 1 Loosen the four screws with the (7/64") 3 mm Allen Wrench.

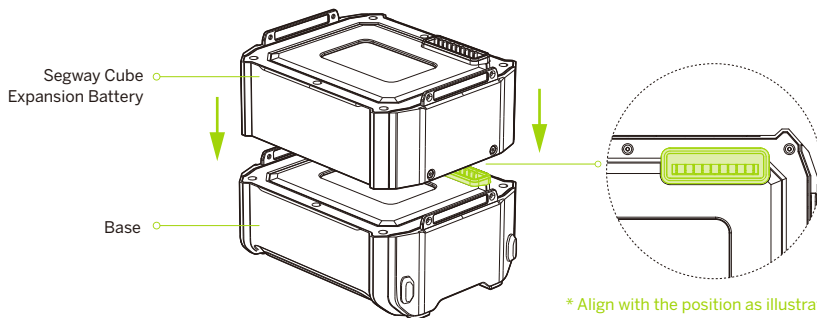


* Do not use the electric tool to loosen screws!

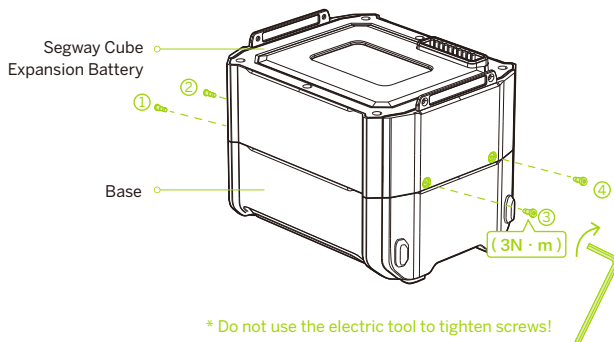
- 2 Separate the inverter and the base.



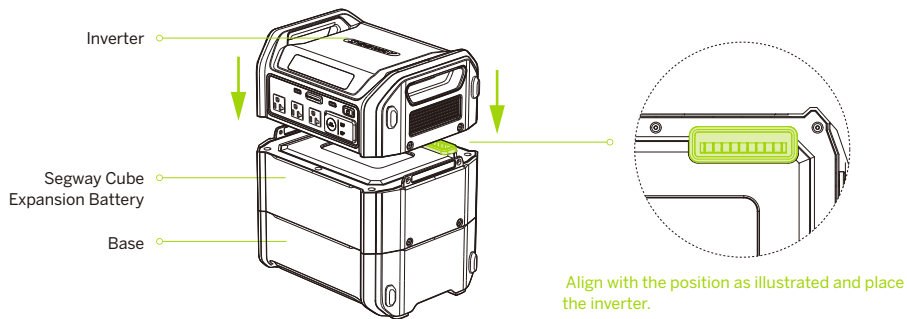
3 Place the battery pack on the base.



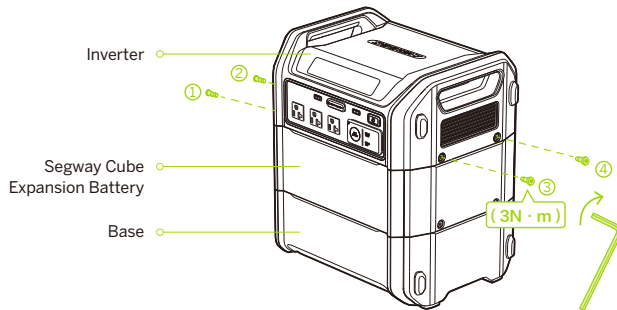
4 Tighten the four screws.



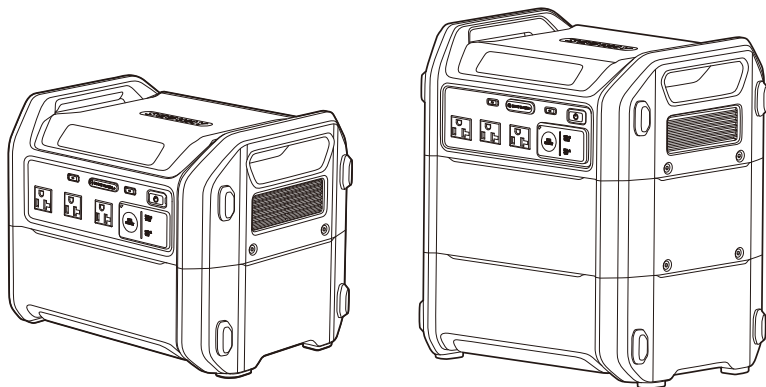
5 Place the inverter on the battery pack.



6 Tighten the four screws.



* Do not use the electric tool to tighten screws!



SEGWAY

Station d'alimentation portable Segway

CUBE-1000 / CUBE-2000

—— Manuel de l'utilisateur ——

Contenu

1. Consignes de sécurité	01
2. Contenu de la boîte	04
3. Aperçu du produit	05
4. Comment utiliser la station d'alimentation	09
5. Comment recharger la station d'alimentation	11
6. Paramètres	14
7. Guide de l'utilisateur de l'application	16
8. Caractéristiques techniques	18
9. Dépannage	19
10. Certification	20
11. Marque commerciale et déclaration légale	22
Annexe : Extension de la batterie	25

1 Consignes de sécurité

CONSIGNES DE SÉCURITÉ IMPORTANTES

- **AVERTISSEMENT** - Lors de l'utilisation de ce produit, des précautions de base doivent toujours être prises, notamment les suivantes :
- Lisez toutes les instructions avant d'utiliser le produit.
- Pour réduire le risque de blessure, une surveillance étroite est nécessaire lorsque le produit est utilisé à proximité d'enfants.
- Ne pas mettre les doigts ou les mains dans le produit.
- L'utilisation d'un accessoire non recommandé ou non vendu par le fabricant du bloc d'alimentation peut entraîner un risque d'incendie, de choc électrique ou de blessure.
- Pour éviter d'endommager la fiche et le cordon électriques, tirez sur la fiche plutôt que sur le cordon lorsque vous débranchez le bloc d'alimentation.
- N'utilisez pas de batterie ou d'appareil endommagé ou modifié. Les batteries endommagées ou modifiées peuvent avoir un comportement imprévisible et provoquer un incendie, une explosion ou un risque de blessure.
- Ne pas faire fonctionner le bloc d'alimentation avec un cordon ou une fiche endommagé(e), ou un câble de sortie endommagé.
- Ne démontez pas le bloc d'alimentation, confiez-le à un technicien qualifié en cas de réparation ou d'entretien. Un remontage incorrect peut entraîner un risque d'incendie ou de choc électrique.
- Pour éviter tout risque de choc électrique, débranchez le bloc d'alimentation de la prise de courant avant de procéder à toute réparation.
- Lorsque vous chargez la batterie interne, travaillez dans un endroit bien ventilé et ne limitez pas la ventilation de quelque manière que ce soit.
- Dans des conditions abusives, du liquide peut être éjecté de la batterie ; éviter tout contact. En cas de contact accidentel, rincer à l'eau. En cas de contact du liquide avec les yeux, consulter de toute urgence un médecin. Le liquide éjecté de la batterie peut provoquer des irritations ou des brûlures.
- N'exposez pas un bloc d'alimentation au feu ou à une température excessive. L'exposition au feu ou à une température supérieure à 130 °C (265 °F) peut provoquer une explosion.
- Confier l'entretien à un réparateur qualifié qui n'utilisera que des pièces de rechange identiques. Cela permet de garantir la sécurité du produit.
- Ne pas exposer le produit à des sources d'inflammation ou à des températures élevées, telles que des véhicules à chauffage élevé ou la lumière directe du soleil.
- Gardez le produit au sec et ne l'immergez pas dans l'eau ou ne le soumettez pas à l'humidité. Ne pas utiliser le produit dans des environnements pluvieux ou humides.
- Évitez d'utiliser le produit dans un environnement à fort champ statique/magnétique.
- Lors de l'utilisation du produit, veuillez respecter la température ambiante spécifiée dans le manuel de l'utilisateur. Si la température est trop élevée, elle peut provoquer un incendie ou une explosion ; si la température est trop basse, elle peut gravement dégrader les performances du produit ou l'empêcher de fonctionner.
- En cas de stockage prolongé, placez le produit dans un endroit sec et ventilé.

- Évitez d'obstruer le ventilateur ou de placer le produit dans un endroit non ventilé ou poussiéreux.
- Ne démontez pas le produit et ne le percez pas avec des objets pointus.
- Évitez les chocs, les chutes et les vibrations violentes. En cas d'impact grave, veuillez éteindre l'appareil et cesser de l'utiliser immédiatement.
- Évitez d'utiliser des fils ou d'autres objets métalliques susceptibles de provoquer un court-circuit.
- N'utilisez pas de cordons, de fiches ou de câbles de sortie endommagés pour connecter ce produit afin d'éviter tout risque de choc électrique.
- N'utilisez pas de composants ou d'accessoires non officiels. Si vous devez remplacer un composant ou un accessoire, consultez le canal officiel Segway.
- Ne pas empiler d'objets lourds sur le produit.
- Ne placez pas le produit sur une surface instable afin d'éviter qu'il ne bascule ou ne tombe.
- Veillez à ce que le produit soit tenu hors de portée des enfants et des animaux domestiques.
- Ce produit n'est pas recommandé pour l'alimentation d'équipements d'urgence médicale liés à la sécurité des personnes, y compris les ventilateurs de qualité médicale et les poumons artificiels. Si vous devez utiliser ce produit, suivez les instructions de votre médecin et consultez le fabricant. En cas d'utilisation pour un équipement médical général, s'assurer que l'alimentation électrique est en bon état.
- Lors de l'utilisation de ce produit, l'alimentation électrique génère des champs électromagnétiques qui peuvent interférer avec le bon fonctionnement d'implants médicaux ou d'appareils médicaux personnels tels que les stimulateurs cardiaques, les implants cochléaires, les appareils auditifs, les défibrillateurs, etc. Si ces dispositifs sont utilisés, veuillez contacter le fabricant pour connaître les restrictions d'utilisation de ces dispositifs afin de vous assurer que les implants médicaux sont maintenus à une distance sûre de ce produit pendant son utilisation.
- Risque de choc électrique. N'utilisez jamais le bloc d'alimentation pour alimenter des outils électriques pour couper ou accéder à des pièces sous tension ou à des câblages sous tension, ou à des matériaux pouvant contenir des pièces sous tension ou des câblages sous tension à l'intérieur, tels que des murs de bâtiment, etc.

CONSERVER CES INSTRUCTIONS

INSTRUCTIONS DE MISE A LA TERRE

Ce produit doit être relié à la terre. En cas de dysfonctionnement ou de panne, la mise à la terre fournit un chemin de moindre résistance pour le courant électrique afin de réduire le risque de choc électrique. Ce produit est équipé d'un cordon muni d'un conducteur de mise à la terre et d'une fiche de mise à la terre. La fiche doit être branchée dans une prise de courant correctement installée et mise à la terre conformément à toutes les réglementations locales.

AVERTISSEMENT - Une mauvaise connexion du conducteur de mise à la terre de l'équipement peut entraîner un risque de choc électrique. Vérifiez auprès d'un électricien qualifié si vous avez des doutes quant à la mise à la terre du produit.

Ne modifiez pas la fiche fournie avec le produit - si elle n'est pas adaptée à la prise, faites installer une prise adéquate par un électricien qualifié.

Entretien quotidien

Si le produit n'est pas utilisé pendant plus de 30 jours, veuillez le recharger complètement et le placer dans un endroit frais et sec pour le stocker. Chargez le produit tous les six mois, sinon la batterie risque d'être endommagée.

Directives relatives à l'élimination des batteries

- Lorsque vous vous débarrassez de la batterie, assurez-vous qu'elle est complètement déchargée et placez-la dans la poubelle de recyclage des batteries prévue à cet effet.
- La batterie de ce produit contient des substances chimiques et il est strictement interdit de la jeter avec les ordures ménagères. Veuillez respecter les lois et réglementations locales en matière de recyclage et d'élimination des batteries.
- Si la batterie ne peut être complètement déchargée en raison d'une défaillance du produit, ne la jetez pas directement dans la poubelle de recyclage des batteries. Veuillez contacter une entreprise professionnelle de recyclage de batterie pour une élimination ultérieure.

Mesures de sécurité pendant la charge

- Lorsque vous utilisez deux panneaux solaires ou plus pour recharger le produit, veuillez utiliser le même type de panneau solaire. Le produit peut être connecté à un, deux ou quatre panneaux solaires. Si vous utilisez quatre panneaux solaires pour recharger le produit, assurez-vous que la connexion entre les panneaux solaires est de deux en série et de deux en parallèle.
- Ne rechargez pas le produit avec des câbles de charge de voiture et des panneaux solaires en même temps, car cela pourrait endommager le fusible.
- Il est recommandé d'utiliser les accessoires Segway - Panneau solaire SP Segway pour la charge solaire. L'utilisation de panneaux solaires d'autres marques peut entraîner des dommages pour lesquels nous ne sommes pas responsables.

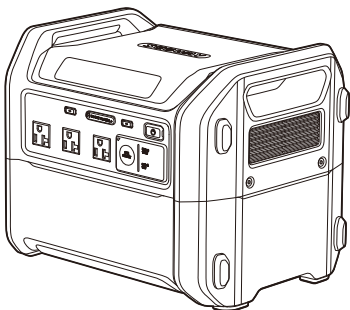
Avertissement de température élevée

La température du produit peut être trop élevée pour alimenter des appareils électriques de grande puissance pendant une longue période, et la protection contre les hautes températures peut se déclencher. Pour la sécurité de la batterie, le produit limitera automatiquement la puissance de sortie pour réduire la température. Si la limite est atteinte, la sortie est coupée et la fonction de charge est indisponible. Si cet avertissement apparaît, arrêtez immédiatement d'utiliser les charges à haute puissance, laissez refroidir le produit, puis réessayez de l'utiliser.

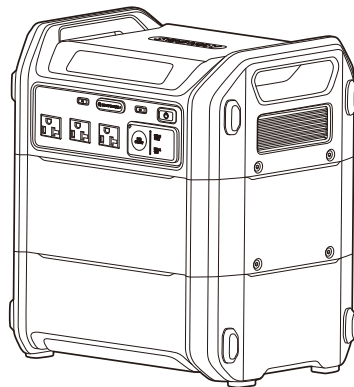
Nous prenons très au sérieux votre sécurité et la protection de nos produits. Si vous avez des questions ou des suggestions, veuillez contacter le service clientèle de Segway.

2 Contenu de la boîte

Station d'alimentation portable Segway :

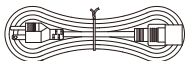


CUBE-1000 x 1



CUBE-2000 x 1

Accessoires :



Câble de charge CA x 1



Câble de charge pour voiture x 1



(7/64") 3 mm
Clé Allen x 1



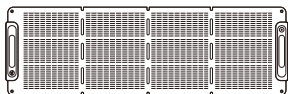
Manuel de l'utilisateur x 1



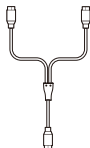
Politique de garantie x 1

* Pour CUBE-2000 uniquement

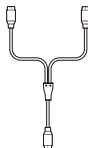
* Accessoires vendus séparément



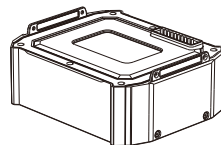
Panneau solaire SP Segway



Connecteur série



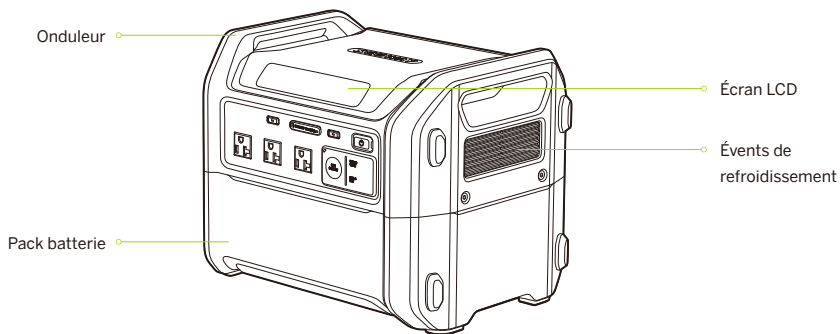
Connecteur parallèle



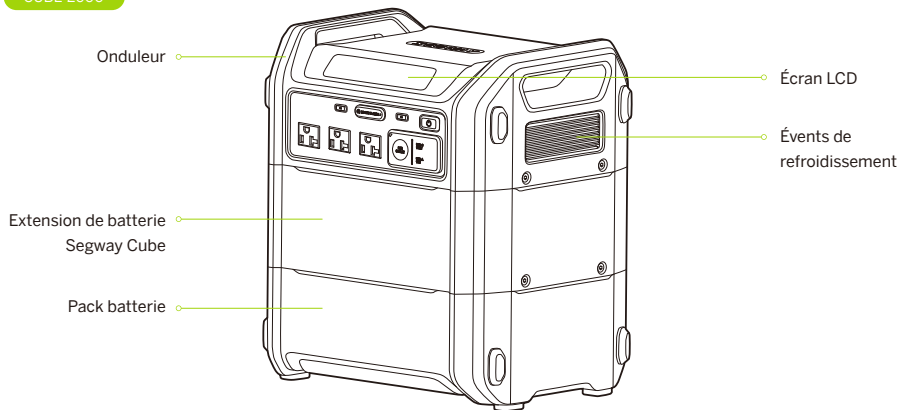
Extension de batterie Segway Cube

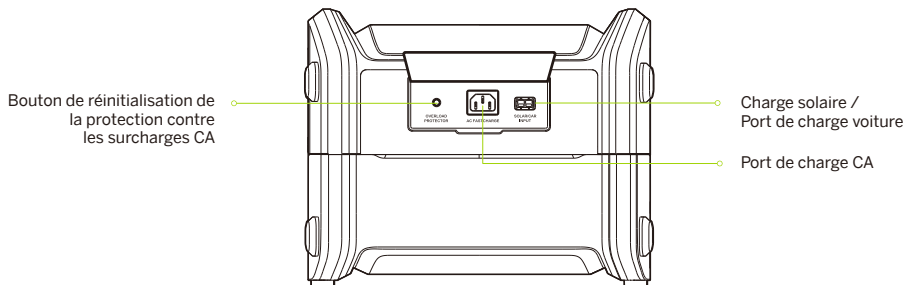
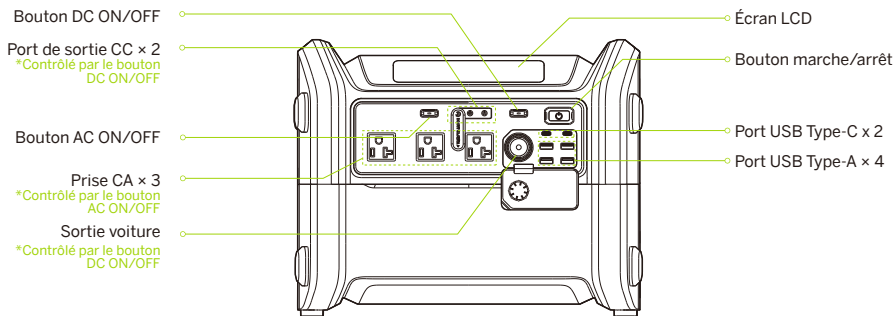
3 Aperçu du produit

CUBE-1000

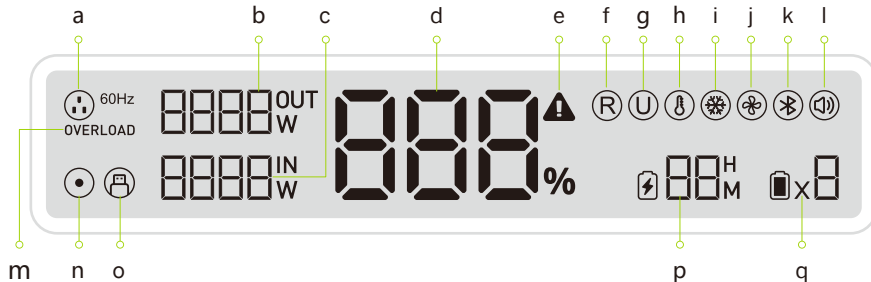


CUBE-2000





Aperçu de l'affichage




- a**  60Hz
Sortie CA
L'icône de la fiche s'affiche comme AC Output, la fréquence de sortie est de 60 Hz.

- b** 
Puissance de sortie

- c** 
Puissance d'entrée

- d** 
Puissance de la batterie

- e** 
Avertissement
Lorsque l'icône s'allume, cela signifie que la protection contre la haute température, la protection contre la basse température ou la protection contre la surcharge CA est déclenchée.

- f** 
R-Drive
Ajuster intelligemment la puissance de fonctionnement des appareils électriques et s'assurer qu'ils fonctionnent à la puissance nominale de l'onduleur. Prend en charge des charges allant jusqu'à 4400 W.

- g** 
UPS (alimentation sans interruption)
Bascule automatiquement sur l'alimentation par onduleur si l'entrée CA a été coupée par une panne du réseau électrique et s'assure que les appareils électriques fonctionnent normalement.

- h** 
Protection contre les hautes températures
La puissance d'entrée/sortie partielle est automatiquement réduite lorsque la température de l'appareil est trop élevée.



Protection contre les basses températures

La puissance d'entrée/sortie partielle est automatiquement réduite lorsque la température de l'appareil est trop basse.



Ventilateur de refroidissement

L'icône indique que le ventilateur fonctionne.



Bluetooth

L'icône clignote pendant l'association et reste allumée lorsque l'appareil est connecté avec succès.



Tonalité du bouton

m OVERLOAD

Surcharge de la sortie CA



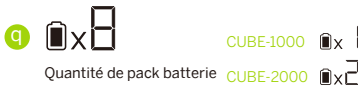
Sortie CC/prise voiture



Sortie USB



Temps de décharge/charge restant



4 Comment utiliser la station d'alimentation

* Illustré avec CUBE-1000

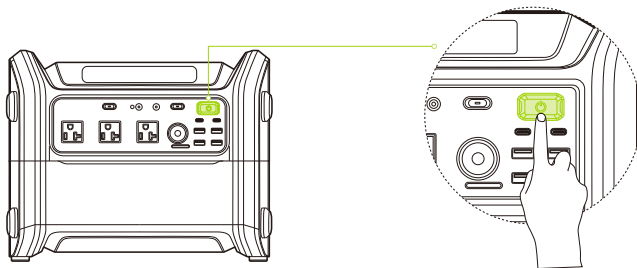
1 Allumer/éteindre.

Appuyez sur le bouton marche/arrêt et maintenez-le enfoncé pendant plus d'une seconde pour l'allumer ou l'éteindre.

Appuyez sur le bouton marche/arrêt pour réveiller ou assombrir l'écran lorsque la station d'alimentation est sous tension.

Allumé : La station d'alimentation émet un bip et le voyant lumineux du bouton s'allume en blanc.

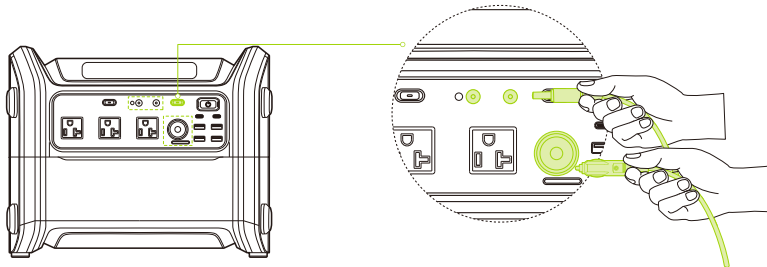
Éteint : La station d'alimentation émet un bip et le voyant lumineux du bouton s'éteint.



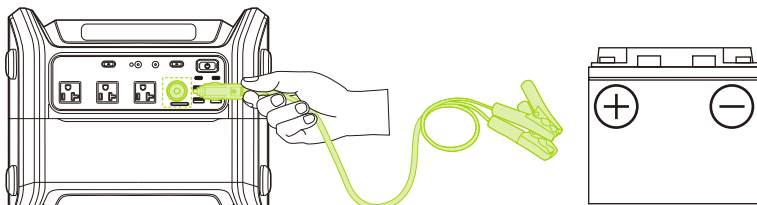
2 Sortie CC

* Port de sortie CC x 2/Prise voiture x 1

a) Lorsque la station d'alimentation est allumée, appuyez sur le bouton DC ON/OFF pour activer la sortie CC, connectez l'appareil au port de sortie CC.



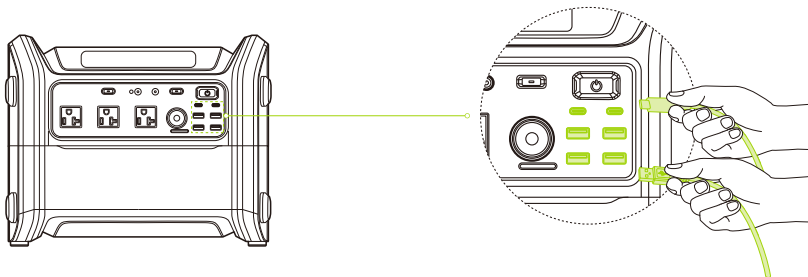
- b) Appuyez sur le bouton DC ON/OFF pour allumer la prise de voiture. La prise de voiture prend en charge la sortie de courant constant et peut utiliser le câble spécifique pour charger la batterie de la voiture. (uniquement pour la charge, ne peut pas être utilisé pour démarrer le véhicule.)



* Vendu séparément

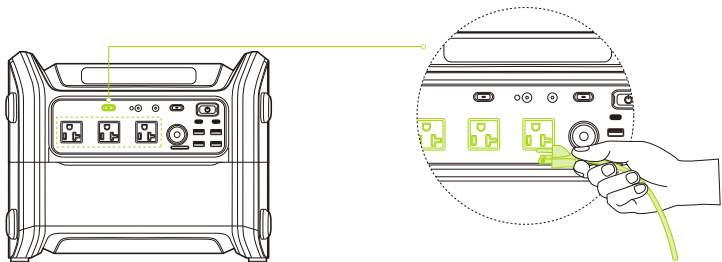
3 Sortie USB

Connectez l'appareil au port de sortie USB.



4 Sortie CA

Lorsque la station d'alimentation est allumée, appuyez sur le bouton AC ON/OFF pour activer la sortie CA, connectez l'appareil à la prise CA.

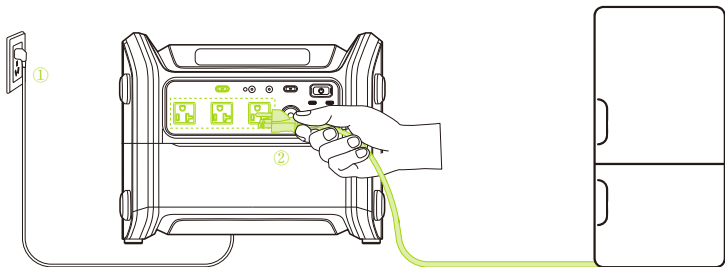


5 Fonction UPS

Lorsque la fonction UPS est activée :

- ① Branchez le câble de charge CA dans la prise murale et connectez l'autre extrémité au port de charge CA de la station d'alimentation.
- ② Appuyez sur le bouton AC ON/OFF pour activer la sortie CA, connectez l'appareil CA à la prise CA

* A ce stade, la fonction UPS est activée et la station d'alimentation passe automatiquement à l'alimentation par onduleur en cas de défaillance du réseau électrique.

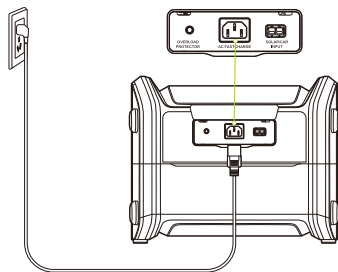


5 Comment recharger la station d'alimentation

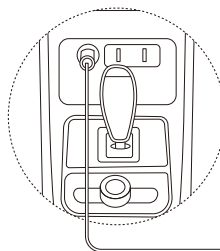


La station d'alimentation est dotée de deux ports de charge : le port de charge CA et le port de charge solaire/de voiture. Lors de la charge de la station d'alimentation, l'écran affiche l'état de charge. Il existe cinq méthodes de charge, comme indiqué ci-dessous, et la double charge est également disponible.

- 1 Charge CA
- 2 Charge en voiture
- 3 Charge solaire
- 4 Courant alternatif et charge solaire
- 5 Courant alternatif et charge en voiture



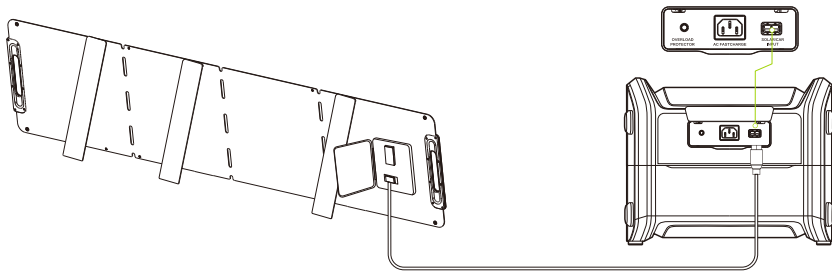
Charge CA



Charge en voiture

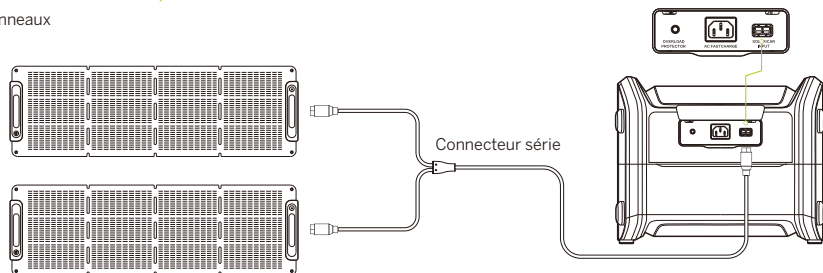
Charge solaire

a. Panneau solaire unique



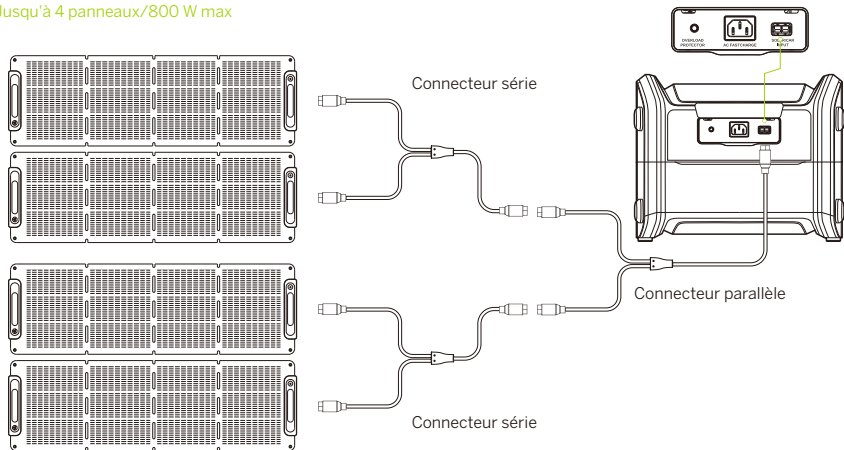
b. Panneaux solaires multiples

2 panneaux



4 panneaux

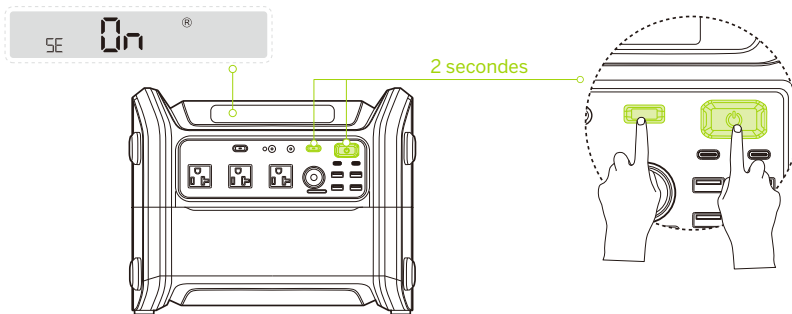
* Jusqu'à 4 panneaux/800 W max



6 Paramètres

Lorsque la station d'alimentation est éteinte, appuyez sur le bouton DC ON/OFF et sur le bouton marche/arrêt pendant 2 secondes en même temps pour accéder aux paramètres.

Remarque : La charge et la décharge ne sont pas disponibles pendant le réglage.



Opérations de base des boutons



Bouton marche/arrêt : Appuyez sur pour enregistrer et quitter les paramètres.










Bouton DC ON/OFF : Passer au réglage suivant.

Bouton DC ON/OFF : Passer d'une option à l'autre pour le réglage en cours.

Paramètres

Remarque : Il est recommandé de personnaliser ces paramètres directement via l'application Segway-Ninebot.

Icône	Paramètre	Affichage	Options
(R)	R-Drive ^[1]	 	<p>Le réglage par défaut est activé. La fonction peut être activée/désactivée.</p> <p>* Cette fonction ne s'applique qu'aux appareils résistifs. Désactivez immédiatement cette fonction si les appareils ne peuvent pas fonctionner normalement.</p>

Icône	Paramètre	Affichage	Options
	UPS (Alimentation sans interruption) ²¹	 	Le réglage par défaut est activé. La fonction peut être activée/désactivée.
	Mode ventilateur	 	<p>Deux modes sont disponibles.</p> <p>Mode de refroidissement actif Le ventilateur fonctionne automatiquement et maintient la station d'alimentation à une température relativement basse.</p> <p>Mode silencieux Le ventilateur fonctionne automatiquement à une vitesse et une fréquence relativement faibles.</p>
	Tonalité du bouton	 	Le réglage par défaut est activé. Le son du bouton peut être activé ou désactivé.

Caractéristiques

1 R-Drive

Cette fonction ne s'applique pas à tous les appareils électriques, mais uniquement aux appareils résistifs, tels que les sèche-cheveux et les bouilloires électriques. Veuillez tester la compatibilité avant de l'utiliser. Les appareils à forte puissance comme les climatiseurs, les cafetières, les sèche-linge, les cuisinières électriques, les grands réfrigérateurs, les fours à micro-ondes, les tondeuses à gazon, les fours et les machines à laver ne sont pas compatibles.

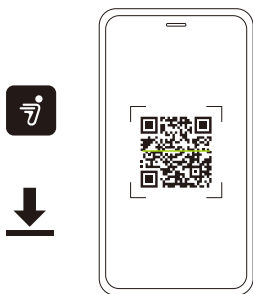
2 UPS (alimentation sans interruption)

Lorsque vous connectez la station d'alimentation à la source d'alimentation CA et que vous connectez ensuite les appareils à la prise CA de la station d'alimentation, les appareils sont alimentés par la source d'alimentation CA et non par la station d'alimentation. En cas de défaillance de la source d'alimentation CA, la station d'alimentation passe automatiquement à l'alimentation par onduleur pour les appareils dans un délai de 20 à 30 ms.

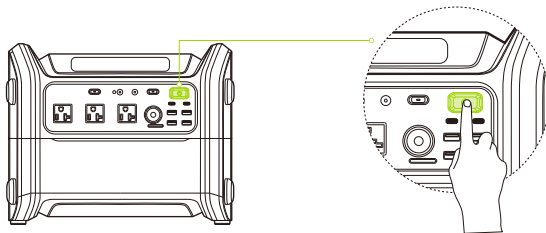
La fonction ASI est de type hors ligne et ne prend pas en charge la commutation 0ms. N'utilisez pas la station d'alimentation pour charger des appareils qui nécessitent une alimentation continue. Veuillez tester la compatibilité avant de l'utiliser.

7 Guide de l'utilisateur de l'application

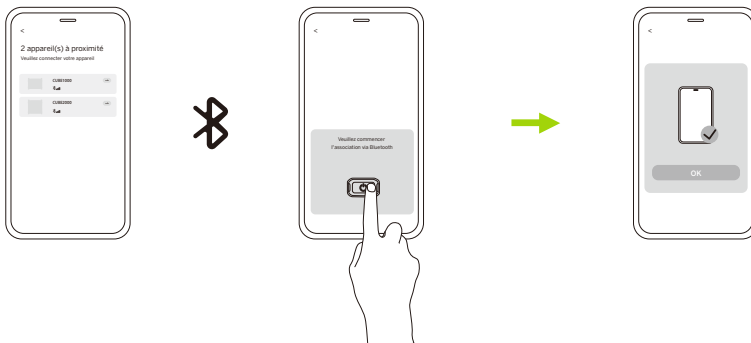
- 1 Scannez le QR code pour télécharger l'application Segway-Ninebot et vous inscrire ou vous connecter.



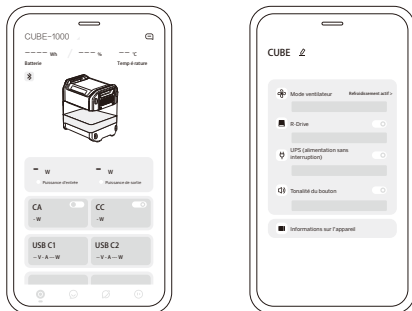
- 2 Appuyez sur le bouton marche/arrêt et maintenez-le enfoncé allumer la station d'alimentation.



- 3 Appuyez sur « Ajouter un appareil » et suivez les instructions pour vous connecter à la station d'alimentation via Bluetooth.



- 4 Personnalisez les paramètres directement via l'application. Vérifiez les informations en temps réel de la batterie restante, de la température, de la puissance d'entrée/sortie de chaque port d'entrée/sortie, etc.



8 Caractéristiques techniques

Station d'alimentation	Nom du produit	Station d'alimentation portable Segway Cube	
	Modèle	CUBE-1000	CUBE-2000
	L x l x H*	13,9 × 11,3 × 11,1 po (354 × 289 × 284 mm)	13,9 × 11,3 × 15,7 po (354 × 289 × 399 mm)
	Poids net*	35,7 lbs (16,2 kg)	57,5 lbs (26,1 kg)
	Modèle d'onduleur	CUBE-IV-2200	
	Modèle de pack batterie inclus	CUBE-BT-1000	CUBE-BT-1000, CUBE-BTX-1000
	Fréquence nominale	60 Hz	
	Puissance max. totale de la sortie	2200 W	2584 W
	Puissance de sortie CA max.	2200 W	
	Puissance de sortie CC max.	384 W	
	Entrée CA	120 V~8 A 60 Hz 1250 W max	
	Entrée voiture	12 V/24 V== 8 A 200 W max	
	Entrée du panneau solaire	12-60 V== 800 W max	
	Sortie CA (× 3)	120 V~20 A 60 Hz 2200 W max (mode onduleur, onde sinusoïdale pure) / 120 V~ 60 Hz 12 A max. (mode bypass)	
	Sortie voiture	13,6 V== 10 A 136 W max	
	Sortie DC5525 (× 2)	13,6 V== 5 A 68 W max	
Sortie USB Type-A (× 4)	5/9/12 V== 3 A 18 W max		
Sortie USB Type-C (× 2)	5/9/12/15/20 V== 5 A 100 W max		
Température de décharge	14 °F~113 °F (10 °C~45 °C)		
Température de charge	41 °F~113 °F (5 °C~45 °C)		
Batterie pack	Modèle	CUBE-BT-1000	CUBE-BTX-1000
	L x l x H*	13,9 × 11,3 × 5,9 po (354 × 289 × 152 mm)	13,7 × 11,3 × 5,3 po (348 × 289 × 135 mm)
	Poids net*	22 lbs (10 kg)	21,8 lbs (9,9 kg)
	Type de batterie	Batterie LFP (LiFePO ₄)	
	Capacité nominale	20 Ah	
	Énergie nominale	1024 Wh	
	Tension nominale	51,2 V==	
	Tension de charge max.	57,6 V==	
	Protection IP	IP56	
	Système de gestion de batterie	Protection contre les surchauffes, les surintensités et les surtensions.	

9 Dépannage

Code d'erreur	Causes possibles	Solution
E01	Protection contre la surchauffe de la batterie	Veillez refroidir la batterie
E02	Protection la basse température de la batterie	Veillez ramener la batterie à la température normale.
E03	Protection contre les sous-tensions de la batterie	Veillez charger immédiatement.
E04	Erreur de communication de la batterie 1	1. Éteignez la station d'alimentation et vérifiez que la batterie est correctement connectée.
E05	Erreur de communication de la batterie 2	2. Redémarrez la station d'alimentation. Remarque : si le code d'erreur persiste après l'application des méthodes ci-dessus, il se peut que le pack batterie soit endommagé.
E06	Protection contre la surchauffe pendant la charge	1. Veillez refroidir la station d'alimentation.
E07	Protection contre la surchauffe pendant la décharge	2. Vérifiez le ventilateur et les événements de refroidissement, et appliquez la dissipation de chaleur pour la station d'alimentation.
E08	Anomalie de la charge solaire	1. Vérifiez le type de panneau solaire (80 V/20 A). En cas d'appariement, le circuit matériel du panneau solaire peut être endommagé, veuillez contacter le service après-vente pour obtenir de l'aide. 2. Si ce n'est pas le cas, déconnectez le panneau solaire.
E09	Erreur d'entrée CA	Anomalie de l'entrée CA causée par un réseau électrique instable, veuillez déconnecter le câble de charge CA.
E10	Surcharge ou court-circuit de la sortie voiture	Déconnectez les appareils branchés. Éteignez la sortie CC après 5 secondes et réessayez plus tard.
E11	Surcharge ou court-circuit de la sortie USB	Déconnectez les appareils USB.
E12	Protection contre la surcharge de la sortie CA	Déconnectez les appareils branchés. Coupez la sortie CA après 5 secondes et réessayez plus tard.
E13	Protection contre les courts-circuits de la sortie CA	Déconnectez les appareils à courant alternatif. Coupez la sortie CA après 5 secondes et réessayez plus tard.
E14	Dysfonctionnement de l'onduleur	Déconnectez les appareils à courant alternatif. Coupez la sortie CA après 5 secondes et réessayez plus tard.
E15	Dysfonctionnements de la batterie	Maintenez la station d'alimentation à l'arrêt et redémarrez-la.
E16	Dysfonctionnement des fils internes	Déconnectez tous les dispositifs d'entrée/sortie et redémarrez la station d'alimentation.

* Pour les codes d'erreur de E09 à E16, si le code d'erreur persiste après avoir utilisé les méthodes ci-dessus, veuillez contacter le service après-vente pour obtenir de l'aide.

10 Certification

Déclaration de conformité avec la Federal Communications Commission (FCC) pour les États-Unis

Cet appareil est conforme à la partie 15 des règles FCC. L'utilisation du produit est soumise aux deux conditions suivantes : (1) Cet appareil ne peut causer d'interférences nuisibles et (2) il doit pouvoir recevoir toute interférence, notamment toute interférence susceptible de provoquer un fonctionnement indésirable.

Tout changement ou modification non expressément approuvé par la partie responsable de la conformité pourrait annuler le droit de l'utilisateur à utiliser l'équipement.

REMARQUE

Cet équipement a été testé et jugé conforme aux limites d'un appareil numérique de classe B, conformément à la partie 15 des Règles de la FCC. Ces limites sont établies pour apporter une protection raisonnable contre les interférences nuisibles dans une installation résidentielle. Cet équipement dégage, utilise et peut émettre des fréquences radio, et, s'il n'est pas installé et utilisé conformément aux instructions, il peut interférer avec les communications radio. Il n'y a toutefois aucune garantie que cette interférence ne se produira pas dans une installation particulière. Si cet équipement cause des interférences nuisibles pour la réception de la radio ou de la télévision, ce qui peut être déterminé en éteignant et en allumant l'équipement, l'utilisateur est encouragé à essayer de corriger l'interférence en prenant une ou plusieurs des mesures suivantes :

- Réorienter ou déplacer l'antenne réceptrice.
- Augmenter la séparation entre l'équipement et le récepteur.
- Brancher l'équipement sur une prise d'un circuit différent de celui auquel le récepteur est connecté.
- Demandez l'aide du distributeur ou d'un technicien radio/télé.

Cet équipement est conforme aux limites d'exposition aux rayonnements de la FCC, établies pour un environnement non contrôlé. Cet équipement doit être installé et utilisé en respectant une distance minimale de 20 cm entre le radiateur et votre corps. Cet équipement est conforme aux limites d'exposition aux radiations de la IC définies pour un environnement non contrôlé. Cet équipement doit être installé et utilisé à une distance minimale de 20cm entre le radiateur et votre corps.

Déclaration de conformité d'Industrie Canada (IC) pour le Canada.

Cet appareil contient un ou des émetteurs/récepteurs exemptés de licence qui sont conformes aux CNR exemptés de licence d'Innovation, Sciences et Développement économique Canada. L'utilisation du produit est soumise aux deux conditions suivantes : (1) cet appareil ne peut pas causer d'interférence, et (2) cet appareil doit accepter toute interférence, y compris une interférence pouvant causer un fonctionnement non souhaité de l'appareil. CAN ICES-3 (B)/NMB-3(B).

l'appareil contient des émetteurs/récepteurs exemptés de licence qui sont conformes aux CNR exempts de licence

d'Innovation, Sciences et Développement économique Canada. L'exploitation est soumise aux deux conditions suivantes : (1) l'appareil ne doit pas produire de brouillage, (2) l'utilisateur de l'appareil doit accepter tout brouillage radioélectrique subi, même si le brouillage est susceptible d'en compromettre le fonctionnement.

Bluetooth	Bande(s) de fréquence	2,4000 - 2,4835 GHz
	Puissance radio max.	20 mW

FCC ID: 2BCKT-CN0001

IC: 31207-CN0001

11 Marque commerciale et déclaration légale

Segway et Rider Design sont des marques commerciales de Segway Inc. ; Ninebot est une marque commerciale de Ninebot (Beijing) Tech Co., Ltd. ; App Store® et le Apple logo® sont des marques déposées d'Apple Inc. ; La marque verbale et les logos Bluetooth® sont des marques déposées appartenant à Bluetooth SIG, Inc. et toute utilisation de ces marques par Segway-Ninebot se fait sous licence. Les autres marques et noms commerciaux appartiennent à leurs propriétaires respectifs.

En raison des améliorations constantes des produits, ce manuel et les produits réels peuvent être légèrement différents en termes de couleur, d'apparence, etc. Le produit réel prévaudra en cas de divergence entre le produit réel et le manuel.

©2023 Ninebot (Beijing) Technology Co, Ltd. Tous droits réservés.

Déclaration légale

1. Avant d'utiliser la station d'alimentation portable Segway (« Produit »), veuillez lire attentivement le manuel de l'utilisateur afin de vous assurer d'une utilisation correcte et d'une compréhension totale. Après lecture, veuillez conserver le manuel de l'utilisateur en lieu sûr pour référence ultérieure. Si vous n'utilisez pas ce produit correctement, vous risquez de vous blesser gravement ou de blesser d'autres personnes, d'endommager le produit et de subir des pertes matérielles.
2. En utilisant le produit, vous êtes censé comprendre, reconnaître et accepter l'ensemble des conditions et du contenu du présent document. L'utilisateur assume la responsabilité de ses actes et de toutes les conséquences découlant de l'utilisation du produit. Segway ne pourra être tenu responsable d'aucune réclamation, responsabilité ou perte liée à de telles conséquences si elle est due à la prise de risque par l'utilisateur.
3. Ne permettez pas à des personnes qui n'ont pas lu attentivement ce manuel ou qui ne sont pas familiarisées avec l'utilisation correcte et les précautions de sécurité du produit de l'utiliser.
4. À la réception du produit, veuillez vérifier immédiatement si le produit et ses accessoires sont intacts et complets. Tous les accessoires doivent être utilisés conformément au manuel d'instructions.
5. Avertissement : Toute dégradation des performances de la batterie ou incapacité à fonctionner correctement causée par le fait que l'utilisateur n'a pas utilisé et entretenu la batterie correctement n'est pas couverte par la garantie limitée.
6. Dans la mesure permise par la loi, Segway se réserve le droit de fournir l'interprétation et l'explication finales de cette déclaration.

La présente déclaration légale est régie par les lois de l'État dans lequel votre produit est installé, sauf dans la mesure où elle est incompatible avec la loi fédérale ou préemptée par celle-ci. Segway ne peut être tenu responsable de toute réclamation, responsabilité ou perte résultant de la violation par le consommateur de la déclaration ci-dessus.

Vous pouvez choisir d'accepter les conditions ci-dessus et d'utiliser le produit en conséquence, ou de procéder à la procédure de retour conformément à la garantie limitée. Lors du retour du produit, veuillez vous assurer que le produit et l'emballage sont intacts afin de ne pas nuire à la revente.

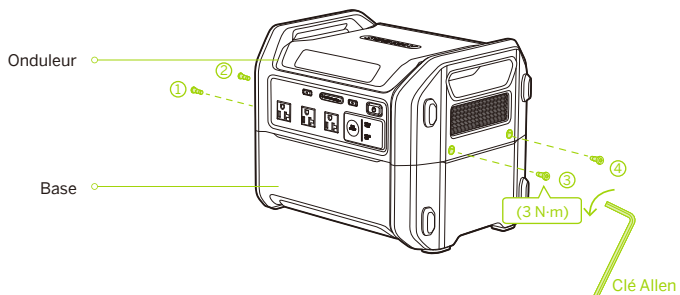
Si vous avez l'intention de revendre ou d'offrir le produit, n'oubliez pas d'inclure cette déclaration légale, car elle fait partie intégrante du produit.

Si vous avez des questions ou si vous avez besoin d'aide, Segway se tient à votre disposition.

Une fois de plus, nous vous remercions d'avoir choisi notre produit et de nous avoir fait confiance.

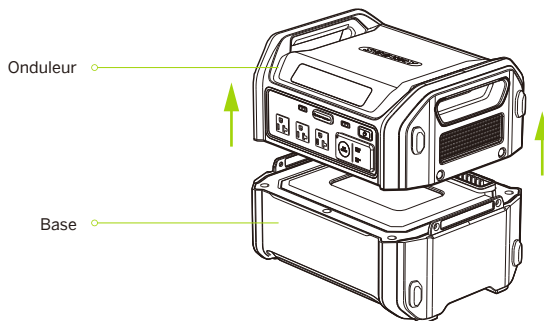
Annexe : Extension de la batterie

- 1 Desserrez les quatre vis à l'aide de la clé Allen de 3 mm (7/64").

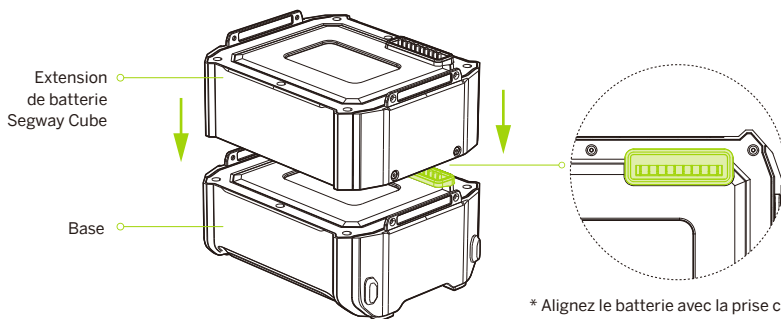


* Ne pas utiliser l'outil électrique pour desserrer les vis !

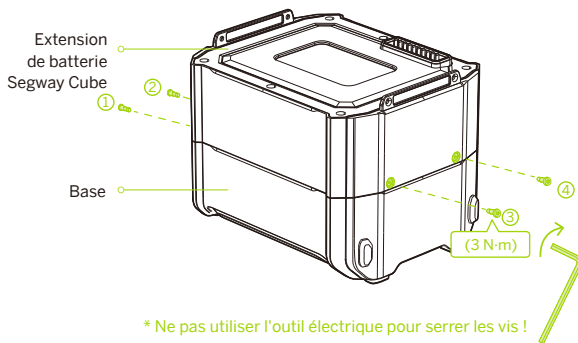
- 2 Séparer l'onduleur et la base.



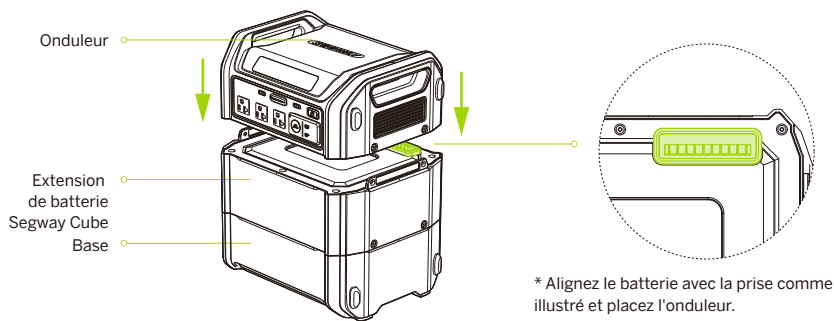
3 Placez le pack batterie sur la base.



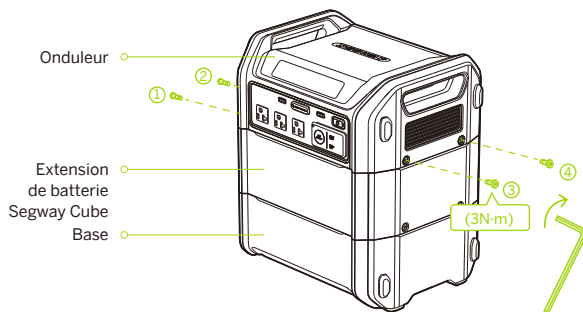
4 Serrez les quatre vis.



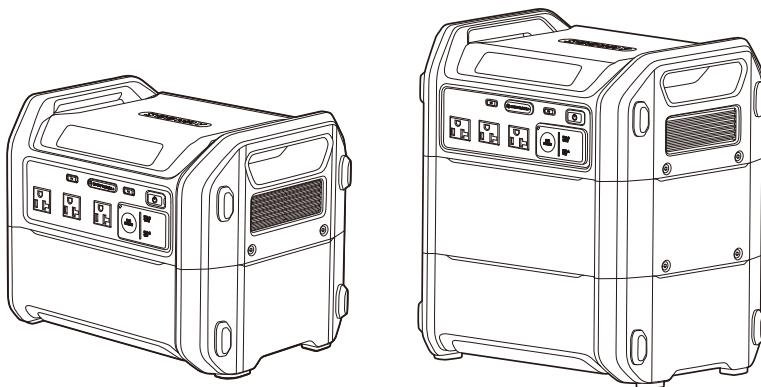
5 Placez l'onduleur sur le pack batterie.



6 Serrez les quatre vis.



* Ne pas utiliser l'outil électrique pour serrer les vis !



SEGWAY

Estación eléctrica portátil Segway

CUBO-1000 / CUBO-2000

Manual de usuario

Contenido

1. Instrucciones de seguridad	01
2. Listado de contenido	04
3. Descripción de los productos	05
4. Cómo utilizar la estación eléctrica	09
5. Cómo recargar la estación eléctrica	11
6. Configuración	14
7. Guía del usuario de la aplicación	16
8. Especificaciones	18
9. Solución de problemas	19
10. Certificación	20
11. Marca comercial y declaración legal	22
Apéndice: Ampliación de la batería	25

1 Instrucciones de seguridad

INSTRUCCIONES IMPORTANTES DE SEGURIDAD

- **ADVERTENCIA:** al utilizar este producto, deben seguirse siempre las precauciones básicas, incluidas las siguientes:
- Lea todas las instrucciones antes de utilizar el producto.
- Para reducir el riesgo de lesiones, es necesaria una estrecha supervisión cuando el producto se utilice cerca de niños.
- No introduzca los dedos ni las manos en el producto.
- El uso de un accesorio no recomendado o vendido por el fabricante de la unidad de alimentación puede provocar riesgo de incendio, descarga eléctrica o lesiones personales.
- Para reducir el riesgo de daños en el enchufe eléctrico y el cable, tire del enchufe y no del cable cuando desconecte la fuente de alimentación.
- No utilice baterías ni aparatos dañados o modificados. Las baterías dañadas o modificadas pueden mostrar un comportamiento impredecible con el consiguiente riesgo de incendio, explosión o lesiones.
- No utilice la fuente de alimentación con un cable o enchufe dañado, ni con un cable de salida dañado.
- No desmonte la unidad de alimentación, llévela a un técnico cualificado cuando sea necesario realizar tareas de mantenimiento o reparación. Un montaje incorrecto puede provocar riesgo de incendio o descarga eléctrica.
- Para reducir el riesgo de descarga eléctrica, desenchufe la fuente de alimentación de la toma de corriente antes de realizar cualquier tarea de mantenimiento.
- Cuando cargue la batería interna, trabaje en una zona bien ventilada y no limite la ventilación de ninguna manera.
- En condiciones abusivas, puede salir líquido de la batería; evite el contacto. En caso de contacto accidental, lavar con agua. Si el líquido entra en contacto con los ojos, busque ayuda médica. El líquido expulsado por la batería puede provocar irritaciones o quemaduras.
- No exponga la unidad de alimentación al fuego ni a temperaturas excesivas. La exposición al fuego o a temperaturas superiores a 130 °C (265 °F) puede provocar una explosión.
- Encargue el mantenimiento a un técnico cualificado que utilice únicamente piezas de repuesto idénticas. Esto garantizará que se mantenga la seguridad del producto.
- No exponga el producto a fuentes de ignición o altas temperaturas, como vehículos de alta temperatura o luz solar directa.
- Mantenga el producto seco y no lo sumerja en agua ni lo someta a humedad. No utilice el producto en ambientes lluviosos o húmedos.
- Evite utilizar el producto en un entorno con fuertes campos estáticos/magnéticos.
- Cuando utilice el producto, respete la temperatura ambiente de funcionamiento especificada en el manual del usuario. Si la temperatura es demasiado alta, puede provocar un incendio o una explosión; si es demasiado baja, puede degradar gravemente el rendimiento del producto o impedir que funcione.
- Cuando almacene el producto durante mucho tiempo, colóquelo en un lugar seco y ventilado.

- Evite obstruir el ventilador o colocar el producto en una zona sin ventilación o polvorienta.
- No desmonte el producto ni lo perforo con objetos afilados.
- Evite golpes, caídas o vibraciones violentas. Si se produce un impacto grave, desconecte la alimentación y deje de utilizar el producto inmediatamente.
- Evite utilizar cables u otros objetos metálicos que puedan provocar un cortocircuito.
- No utilice cables, enchufes ni cables de salida dañados para conectar este producto a fin de evitar descargas eléctricas.
- No utilice componentes ni accesorios no oficiales. Si necesita sustituir algún componente o accesorio, consulte el canal oficial de Segway.
- No apile objetos pesados encima del producto.
- No coloque el producto sobre una superficie inestable para evitar que vuelque o se caiga.
- Asegúrese de mantener el producto fuera del alcance de niños y animales domésticos.
- Este producto no está recomendado para alimentar equipos médicos de emergencia relacionados con la seguridad personal, incluyendo respiradores de uso médico y pulmones artificiales. Si necesita enchufar un producto de esta naturaleza, siga las instrucciones de su médico y consulte al fabricante. Si se utiliza para equipos médicos de uso general, asegúrese de que la fuente de alimentación está en buenas condiciones.
- Al utilizar este producto, la fuente de alimentación genera campos electromagnéticos que pueden interferir con el correcto funcionamiento de implantes médicos o dispositivos médicos personales como marcapasos, implantes cocleares, audífonos, desfibriladores, etc. Si se están utilizando estos dispositivos, póngase en contacto con el fabricante para conocer las restricciones de uso de los mismos y así garantizar que los implantes médicos se mantienen a una distancia segura de este producto durante su uso.
- Riesgo de descarga eléctrica. No utilice nunca una fuente de alimentación para alimentar herramientas eléctricas con el fin de cortar o acceder a piezas o cables bajo tensión, o materiales que puedan contener piezas o cables bajo tensión en su interior, como paredes de edificios, etc.

GUARDE ESTAS INSTRUCCIONES

INSTRUCCIONES DE CONEXIÓN A TIERRA

Este producto debe estar conectado a tierra. En caso de mal funcionamiento o avería, la conexión a tierra proporciona una vía de menor resistencia a la corriente eléctrica para reducir el riesgo de descarga eléctrica. Este producto está equipado con un cable que tiene un conductor de toma a tierra del equipo y un enchufe de toma a tierra. El enchufe debe conectarse a una toma de corriente que esté correctamente instalada y conectada a tierra de acuerdo con todas las ordenanzas de los códigos locales.

ADVERTENCIA: una conexión incorrecta del conductor de toma a tierra del equipo puede conllevar un riesgo de descarga eléctrica. Consulte a un electricista cualificado si tiene dudas sobre si el producto está correctamente conectado a tierra. No modifique el enchufe suministrado con el producto; si no encaja en la toma de corriente, solicite a un electricista cualificado que instale una toma de corriente adecuada.

Mantenimiento diario

Si el producto no se utiliza durante más de 30 días, cárguelo completamente y guárdelo en un lugar fresco y seco. Cargue el producto cada seis meses, de lo contrario, la batería podría dañarse.

Directrices para la eliminación de baterías

- Cuando deseche la batería, asegúrese de que esté completamente descargada y dépositela en el contenedor de reciclaje de baterías designado.
- La batería de este producto contiene sustancias químicas y está estrictamente prohibido tirarla a la basura general. Respete las leyes y normativas locales sobre el reciclaje y eliminación de baterías.
- Si la batería no puede descargarse completamente debido a un fallo del producto, no la deseche directamente en el contenedor de reciclaje de baterías. Póngase en contacto con una empresa profesional de reciclaje de baterías para su eliminación.

Precauciones de seguridad durante la carga

- Si utiliza dos o más paneles solares para recargar el producto, utilice el mismo tipo de panel solar. El producto puede conectarse con uno, dos o cuatro paneles solares. Cuando utilice cuatro paneles solares para recargar el producto, asegúrate de que la conexión entre los paneles solares sea dos en serie y dos en paralelo.
- No recargue el producto con cables de carga de coche y paneles solares al mismo tiempo, ya que podría dañar el fusible.
- Se recomienda el uso de Accesorios Segway - Segway Solar Panel SP para la carga solar. El uso de paneles solares de otras marcas puede causar daños de los que no nos hacemos responsables.

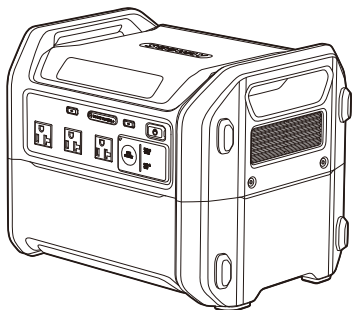
Aviso de alta temperatura

La temperatura del producto puede ser demasiado alta para alimentar aparatos eléctricos de alta potencia durante mucho tiempo, y puede activarse la protección contra altas temperaturas. Por seguridad de la batería, el producto limitará automáticamente la potencia de salida para reducir la temperatura. Si se alcanza el límite, la salida se cortará y la función de carga no estará disponible. Deje de utilizar las cargas de alta potencia inmediatamente si aparece esta advertencia, enfríe el producto y luego intente utilizarlo de nuevo.

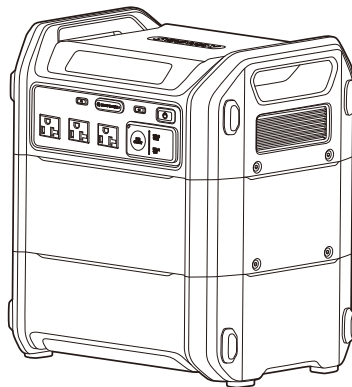
Nos tomamos muy en serio su seguridad y la protección de nuestros productos. Si tiene alguna pregunta o sugerencia, póngase en contacto con el servicio de atención al cliente de Segway.

2 Listado de contenido

Estación eléctrica portátil Segway:

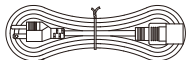


CUBE-1000 x1



CUBE-2000 x1

Accesorios:



Cable de carga de CA x1



Cable de carga para coche x1



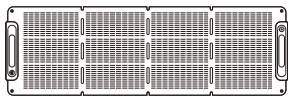
3 mm (7/64 pulgadas)
Llave Allen x1



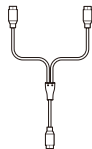
Manual del usuario x1 Política de garantía x1

* Solo para CUBE-2000

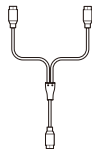
* Accesorios vendidos por separado



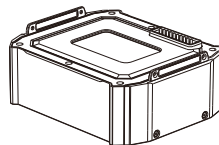
Panel solar de Segway



Conector en serie



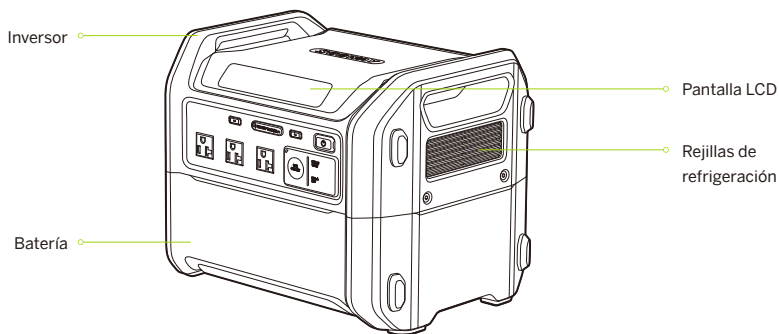
Conector paralelo



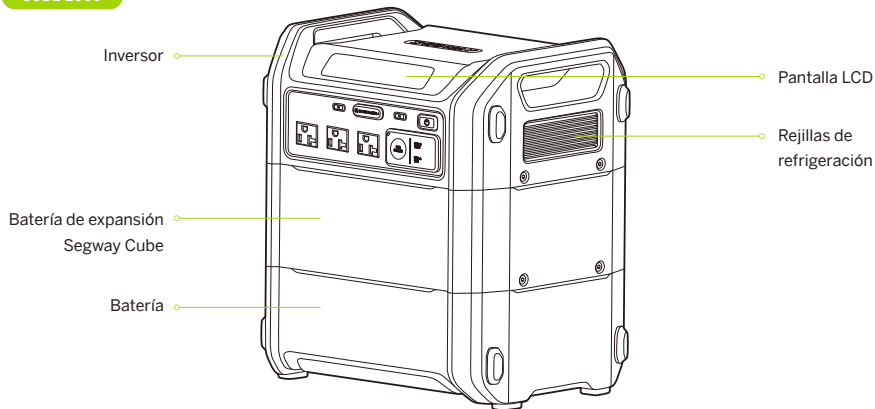
Batería de expansión Segway Cube

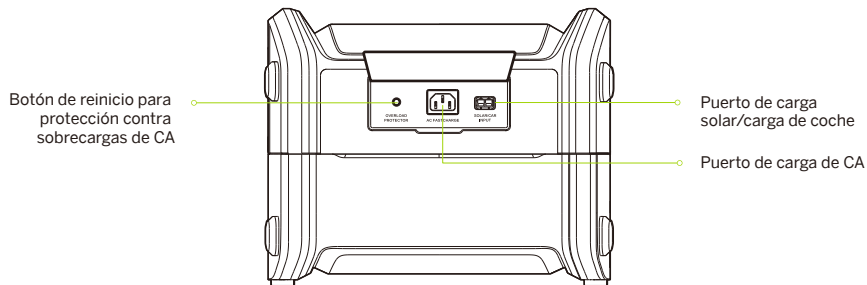
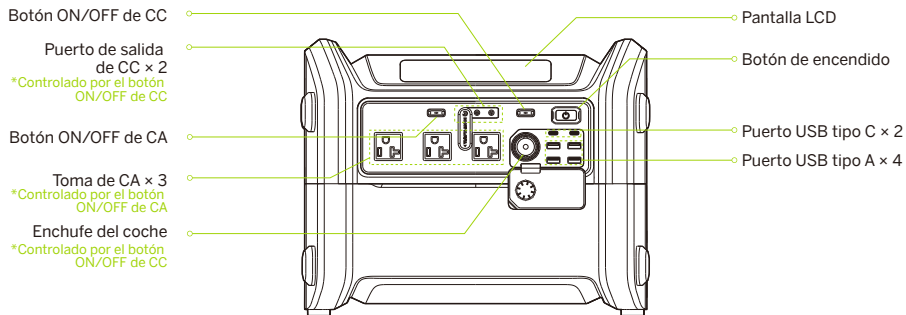
3 Descripción de los productos

CUBE-1000

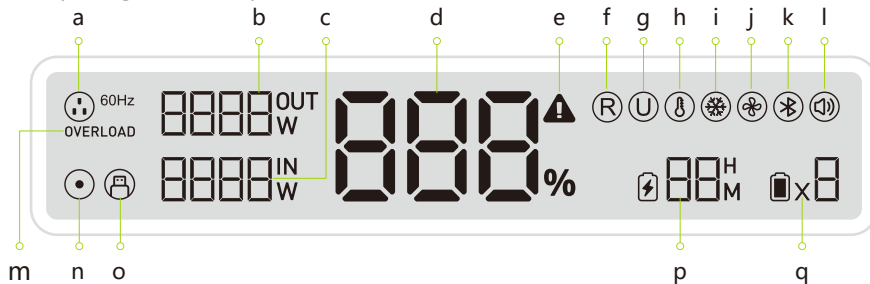


CUBE-2000





Descripción general de la pantalla



- a** 60Hz
Salida de CA
El icono del enchufe aparece como Salida de CA, la frecuencia de salida es de 60 Hz.

- b** OUT W
Corriente de salida

- c** IN W
Corriente de entrada

- d** %
Potencia de la batería

- e** **Advertencia**
Cuando el icono se ilumina, significa que se ha activado la protección contra altas temperaturas, la protección contra bajas temperaturas o la protección contra sobrecargas de CA.

- f** **R-Drive**
Ajuste de forma inteligente la potencia de funcionamiento de los aparatos eléctricos y asegúrese de que funcionen a la potencia nominal del inversor. Soporta cargas de hasta 4400 W.

- g** **SAI (sistema de alimentación ininterrumpida)**
Cambia automáticamente a alimentación por inversor si la entrada de CA se corta por un fallo de la red eléctrica y asegúrese de que los aparatos eléctricos funcionen con normalidad.

- h** **Protección contra altas temperaturas**
La potencia parcial de entrada/salida se reducirá automáticamente cuando la temperatura del aparato sea demasiado alta.



Protección contra bajas temperaturas

La potencia parcial de entrada/salida se reducirá automáticamente cuando la temperatura del aparato sea demasiado baja.



Ventilador

El icono indica que el ventilador está funcionando.



Bluetooth

El icono parpadea durante el emparejamiento y permanece encendido cuando el dispositivo se conecta correctamente.



Tono del botón

m OVERLOAD

Sobrecarga de la salida de CA



Salida de CC/toma de coche



Salida USB



Tiempo de descarga/carga restante



Cantidad de baterías

CUBE-1000



CUBE-2000



4 Cómo utilizar la estación eléctrica

* Ilustrado con CUBE-1000

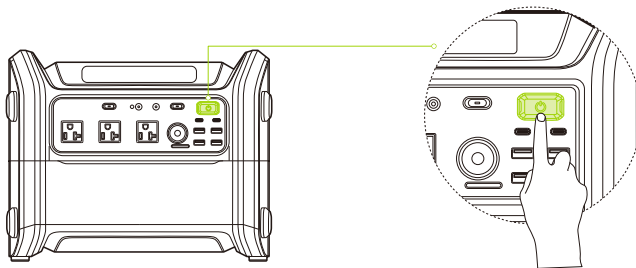
1 Encender/Apagar

Mantenga pulsado el botón de encendido durante más de 1 segundo para encenderlo/apagarlo.

Pulse el botón de encendido para activar o atenuar la pantalla cuando la estación eléctrica esté encendida.

Encendido: La estación emite un pitido y el indicador del botón se ilumina en blanco.

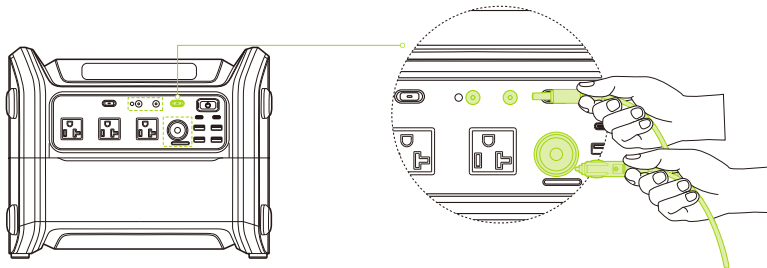
Apagado: La estación emite un pitido y el indicador del botón se apaga.



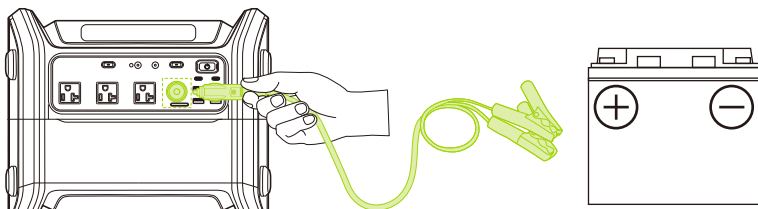
2 Salida de CC

* Puerto de salida de CC x 2/Toma de corriente del coche x 1

a) Cuando la estación esté encendida, pulse el botón ON/OFF de CC para encender la salida de CC, conecte el aparato al puerto de salida de CC.



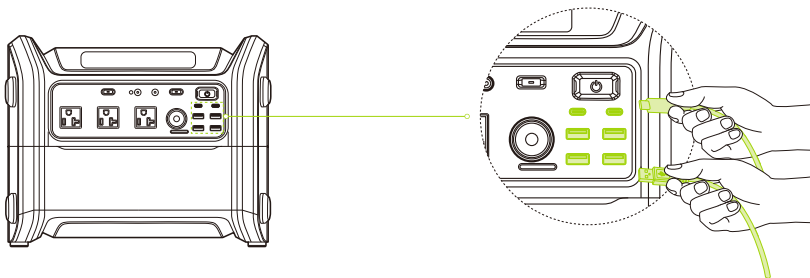
- b) Pulse el botón ON/OFF de CC para encender la toma de corriente del coche. La toma de corriente del coche soporta salida de corriente constante, y puede utilizar el cable específico para cargar la batería del coche (solo para cargar, no se puede utilizar para arrancar el vehículo).



* Se vende por separado

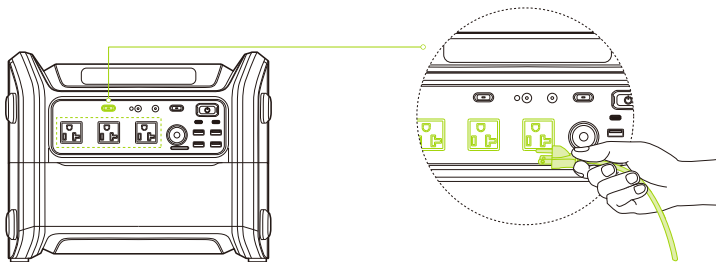
3 Salida USB

Conecte el dispositivo al puerto de salida USB.



4 Salida de CA

Cuando la estación eléctrica esté encendida, pulse el botón ON/OFF de CA para encender la salida de CA, conecte el aparato a la toma de CA.

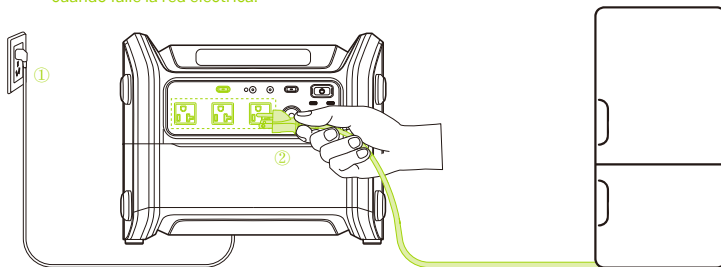


5 Función SAI

Cuando la función SAI está activada:

- ① Enchufe el cable de carga de CA a la toma de pared y conecte el otro extremo al puerto de carga de CA de la estación eléctrica.
- ② Pulse el botón ON/OFF de CA para encender la salida de CA, conecte el dispositivo de CA a la toma de CA.

* En este punto, se activa la función SAI y la estación eléctrica pasará automáticamente a funcionar con inversor cuando falle la red eléctrica.

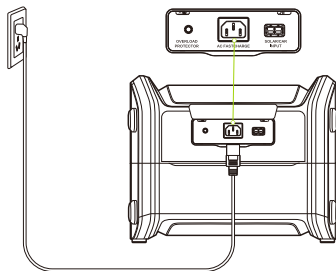


5 Cómo recargar la estación eléctrica

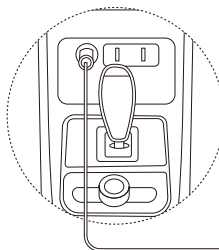


La estación eléctrica tiene dos puertos de carga: un puerto de carga de CA y un puerto de carga solar/de coche. Al recargar la estación eléctrica, la pantalla mostrará el estado de carga. Hay cinco métodos de carga, y también está disponible la carga dual.

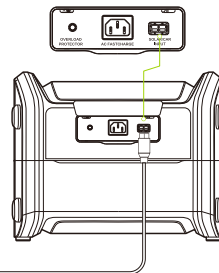
- 1 Carga de CA
- 2 Carga de coche
- 3 Carga solar
- 4 Carga de CA y solar
- 5 Carga de CA y de coche



Carga de CA

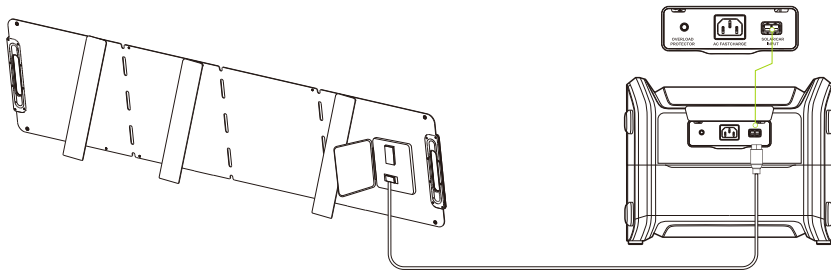


Carga de coche



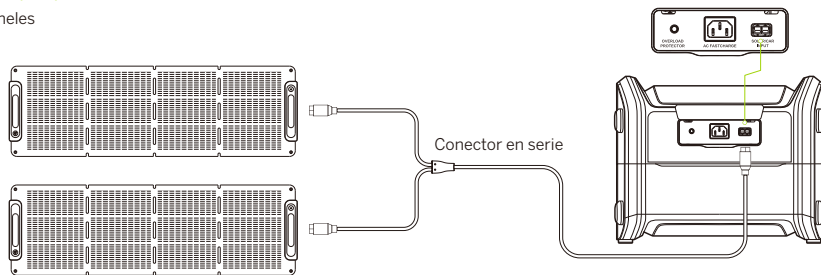
Carga solar

a. Panel solar individual



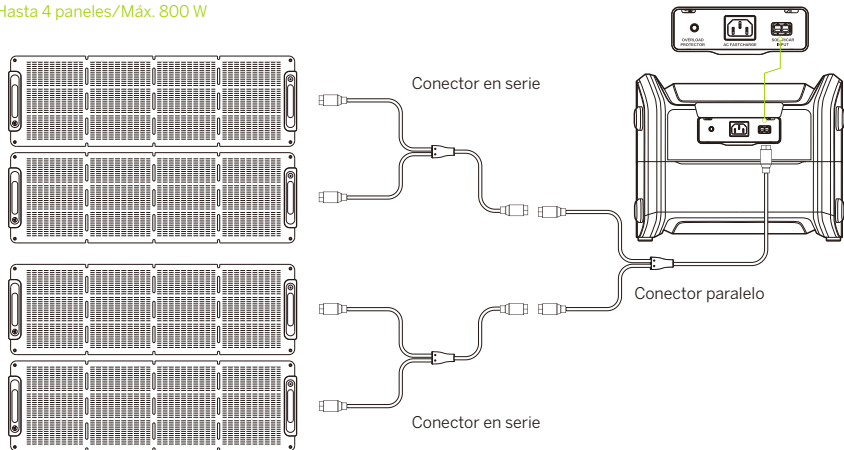
b. Múltiples paneles solares

2 paneles



4 paneles

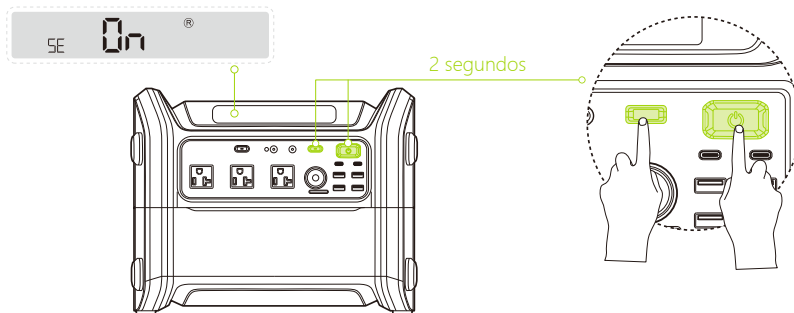
* Hasta 4 paneles/Máx. 800 W



6 Configuración

Cuando la estación esté apagada, mantenga pulsado el botón ON/OFF de CC y el botón de encendido durante 2 segundos al mismo tiempo para ir a la configuración.

Nota: La carga y la descarga no están disponibles durante el proceso de ajuste.



Operaciones básicas de los botones



Botón de encendido: Pulse para guardar y salir de la configuración.










Botón ON/OFF de CA: Ir al siguiente ajuste.

Botón ON/OFF de CC: Cambie entre las opciones del ajuste actual.

Configuración

Nota: Se recomienda personalizar estos ajustes directamente a través de la aplicación Segway-Ninebot.

Icono	Ajuste	Indicador	Opciones
Ⓜ	R-Drive ^[1]	 	<p>El ajuste por defecto es activado. La función puede activarse o desactivarse.</p> <p>* Esta función solo es aplicable a aparatos resistivos. Desconecte inmediatamente esta función si los aparatos no pueden funcionar con normalidad.</p>

Icono	Ajuste	Indicador	Opciones
	SAI (sistema de alimentación ininterrumpida) ^[2]	 	El ajuste por defecto es activado. La función puede activarse o desactivarse.
	Modo de ventilador	 	Hay dos modos disponibles. Modo de refrigeración activo: El ventilador funciona automáticamente y mantiene la estación a una temperatura relativamente baja. Modo silencioso: El ventilador funciona automáticamente a una velocidad y frecuencia relativamente bajas.
	Tono del botón	 	El ajuste por defecto es activado. El sonido del botón se puede activar/desactivar.

Características

1 R-Drive

Esta función no es aplicable a todos los aparatos eléctricos, sino solo a los aparatos resistivos, como secadores de pelo y hervidores eléctricos. Compruebe la compatibilidad antes de utilizarlo. No son compatibles los aparatos de gran potencia, como aires acondicionados, cafeteras, secadoras, cocinas eléctricas, frigoríficos grandes, microondas, cortacéspedes, hornos y lavadoras.

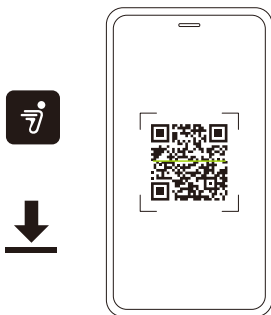
2 SAI (sistema de alimentación ininterrumpida)

Cuando conecte la estación eléctrica a la fuente de alimentación de CA y, a continuación, conecte los aparatos a la toma de CA de la estación eléctrica, los aparatos recibirán alimentación de la fuente de alimentación de CA, no de la estación eléctrica. Si falla la fuente de alimentación de CA, la estación eléctrica cambiará automáticamente a alimentación por inversor para los aparatos en 20-30 ms.

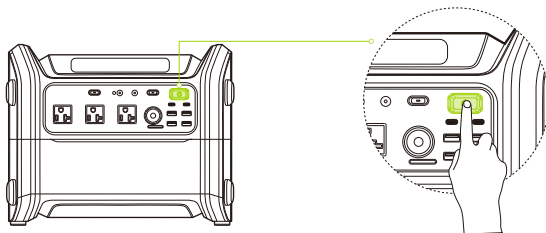
La función SAI es de tipo fuera de línea y no admite conmutación de 0 ms. No utilice la estación eléctrica para cargar dispositivos que requieran un suministro de corriente continua. Compruebe la compatibilidad antes de utilizarlo.

7 Guía del usuario de la aplicación

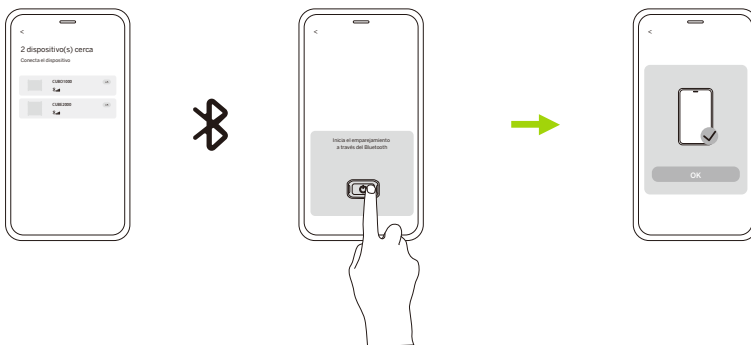
- 1 Escanee el código QR para descargar la aplicación Segway-Ninebot para registrarse o iniciar sesión.



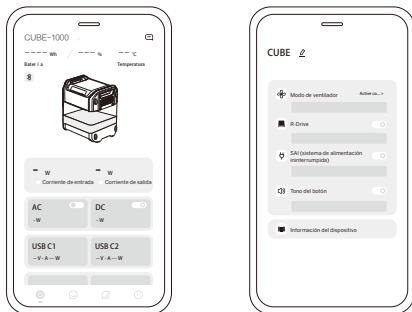
- 2 Mantenga pulsado el botón de encendido para encender la estación.



- 3 Pulse «Añadir dispositivo» y siga las instrucciones para conectarse a la estación a través de Bluetooth.



- 4 Personalice la configuración directamente a través de la aplicación. Compruebe la información en tiempo real de la batería restante, la temperatura, la potencia de entrada/salida de cada puerto de entrada/salida, etc.



8 Especificaciones

Estación eléctrica	Nombre del producto	Estación eléctrica portátil Segway Cube	
	Modelo	CUBE-1000	CUBE-2000
	L × An × Al*	13,9 × 11,3 × 11,1 pulgadas (354 × 289 × 284 mm)	13,9 × 11,3 × 15,7 pulgadas (354 × 289 × 399 mm)
	Peso neto*	35,7 libras (16,2 kg)	57,5 libras (26,1 kg)
	Modelo de inversor	CUBE-IV-2200	
	Modelo de batería incluido	CUBE-BT-1000	CUBE-BT-1000, CUBE-BTX-1000
	Frecuencia nominal	60 Hz	
	Corriente máxima de salida en total	2200 W	2584 W
	Corriente de salida máx. de CA	2200 W	
	Corriente de salida máx. de CC	384 W	
	Entrada de CA	120 V~8 A 60 Hz 1250W Máx.	
	Entrada del coche	12 V/24 V= 8 A 200W Máx.	
	Entrada del panel solar	12-60 V= 800W Máx.	
	Salida de CA (× 3)	120 V~20A 60Hz 2200W Máx. (modo inversor, onda sinusoidal pura) / 120 V~ 60 Hz 12A Máx. (modo bypass)	
	Enchufe del coche	13,6 V=10 A 136 W máx.	
	Salida DC5525 (× 2)	13,6 V= 5 A 68 W máx.	
Salida USB tipo A (× 4)	5/9/12 V= 3 A 18W Máx.		
Salida USB Tipo C (× 2)	5/9/12/15/20 V= 5 A 100 W máx.		
Temperatura de descarga	14 °F~113 °F (-10 °C~45 °C)		
Temperatura de carga	41 °F~113 °F (5 °C~45 °C)		
Batería	Modelo	CUBE-BT-1000	CUBE-BTX-1000
	L × An × Al*	13,9 × 11,3 × 5,9 pulgadas (354 × 289 × 152 mm)	13,7 × 11,3 × 5,3 pulgadas (348 × 289 × 135 mm)
	Peso neto*	22 libras (10 kg)	21,8 libras (9,9 kg)
	Tipo de Batería	Batería LFP (LiFePO ₄)	
	Capacidad nominal	20 Ah	
	Energía nominal	1024 Wh	
	Tensión nominal	51,2 V=	
	Máx. tensión de carga	57,6 V=	
	Clasificación IP	IP56	
	Sistema de gestión de la batería	Protección contra sobretemperatura, sobrecorriente y sobretensión.	

9 Solución de problemas

Código de error	Posibles causas	Solución
E01	Protección contra sobretemperatura de la batería	Enfríe la batería
E02	Protección de baja temperatura de la batería	Haga que la batería vuelva a la temperatura normal.
E03	Protección contra subtensión de la batería	Cárguela inmediatamente.
E04	Error de comunicación de la batería 1	1. Apague la estación y compruebe si la batería está bien conectada. 2. Reinicie la estación eléctrica.
E05	Error de comunicación de la batería 2	Nota: si el código de error persiste después de seguir los métodos anteriores, la batería puede estar dañada.
E06	Protección contra sobretemperatura durante la carga	1. Enfríe la estación eléctrica. 2. Compruebe el ventilador y las rejillas de refrigeración y aplique la disipación de calor para la estación eléctrica.
E07	Protección contra sobretemperatura durante la descarga	1. Compruebe el tipo de panel solar (80V/20A). Si no es así, el circuito de hardware del panel solar puede estar dañado; póngase en contacto con el servicio de posventa para obtener ayuda. 2. Si no es así, desconecte el panel solar.
E08	Anomalía en la carga solar	1. Compruebe el tipo de panel solar (80V/20A). Si no es así, el circuito de hardware del panel solar puede estar dañado; póngase en contacto con el servicio de posventa para obtener ayuda. 2. Si no es así, desconecte el panel solar.
E09	Error de entrada de CA	Anomalía en la entrada de CA causada por una red eléctrica inestable, desconecte el cable de carga de CA.
E10	Sobrecarga o cortocircuito de la salida para el coche	Desconecte las cargas. Apague la salida de CC después de 5 segundos y vuelva a intentarlo más tarde.
E11	Sobrecarga o cortocircuito de la salida USB	Desconecte los dispositivos USB.
E12	Protección contra sobrecargas de la salida de CA	Desconecte las cargas. Apague la salida de CA después de 5 segundos y vuelva a intentarlo más tarde.
E13	Protección contra cortocircuitos de la salida de CA	Desconecte las cargas. Apague la salida de CA después de 5 segundos y vuelva a intentarlo más tarde.
E14	Mal funcionamiento del inversor	Desconecte los dispositivos de CA. Apague la salida de CA después de 5 segundos y vuelva a intentarlo más tarde.
E15	Mal funcionamiento de la batería	Mantenga la estación eléctrica parada y vuelva a ponerla en marcha.
E16	Mal funcionamiento de los cables internos	Desconecte todos los dispositivos de entrada/salida y reinicie la estación.

* Para los códigos de error de E09 a E16, si el código de error sigue existiendo después de operar con los métodos anteriores, póngase en contacto con el servicio de posventa para obtener ayuda.

10 Certificación

Declaración de Conformidad de la Comisión Federal de Comunicaciones (FCC) de EE. UU.

Este dispositivo es conforme con la sección 15 de las normas FCC. El funcionamiento está sujeto a las siguientes dos condiciones: (1) Este dispositivo no puede causar interferencias dañinas y (2) este dispositivo debe aceptar cualquier interferencia recibida, incluidas las interferencias que puedan provocarle un funcionamiento no deseado.

Cualquier cambio o modificación no autorizado expresamente por la parte responsable del cumplimiento podría anular el permiso del usuario para manejar el equipo.

NOTA

Este equipo ha sido probado y cumple con los límites para un dispositivo digital de Clase B, de acuerdo con la sección 15 de las normas FCC. Estos límites están diseñados para proporcionar una protección razonable contra interferencias perjudiciales en una instalación residencial. Este equipo genera, utiliza y puede irradiar energía de radiofrecuencia y, si no se instala y utiliza de acuerdo con las instrucciones, puede causar interferencias perjudiciales en las comunicaciones de radio. Sin embargo, no existe garantía de que no puedan producirse interferencias en una instalación en particular. Si este equipo provoca interferencias dañinas a la recepción de radio o televisión, que pueden determinarse encendiendo y apagando el aparato, se aconseja al usuario que corrija la interferencia aplicando una o varias de las siguientes medidas:

- Reorientar o recolocar la antena receptora.
- Aumentar la separación entre el equipo y el receptor.
- Conectar el equipo a un enchufe de un circuito distinto del que va conectado el receptor.
- Consultar al distribuidor o a un técnico de radio/TV con experiencia.

Este equipo respeta los límites de exposición a la radiación de la FCC establecidos para un entorno no controlado. Este equipo debe instalarse y manejarse a una distancia mínima de 20 cm entre el radiador y su cuerpo. Cet équipement est conforme aux limites d'exposition aux radiations de la IC définies pour un environnement non contrôlé. Cet équipement doit être installé et utilisé à une distance minimale de 20cm entre le radiateur et votre corps.

Declaración de conformidad industrial de Canadá (IC) para Canadá.

Este dispositivo contiene transmisores/receptores exentos de licencia que cumplen con los RSS exentos de licencia de Innovación, Ciencia y Desarrollo Económico de Canadá. El funcionamiento está sujeto a las siguientes dos condiciones: (1) Este aparato no provoca interferencias, y (2) este aparato debe aceptar cualquier interferencia recibida, incluidas las interferencias que pueden provocarle un funcionamiento no deseado CAN ICES-3 (B)/NMB-3(B).

l'appareil contient des émetteurs/récepteurs exempts de licence qui sont conformes aux CNR exempts de licence d'Innovation, Sciences et Développement économique Canada. L'exploitation est soumise aux deux conditions suivantes: (1) l'appareil ne doit pas produire de brouillage, (2) l'utilisateur de l'appareil doit accepter tout brouillage radioélectrique

Bluetooth	Bandas de frecuencia	2,4000-2,4835 GHz
	Máx. potencia de RF	20 mW

FCC ID: 2BCKT-CN0001

IC: 31207-CN0001

11 Marca comercial y declaración legal

Segway y Rider Design son marcas comerciales de Segway Inc.; Ninebot es una marca comercial de Ninebot (Beijing) Tech Co., Ltd.; App Store® y Apple logo® son marcas registradas de Apple Inc.; la marca Bluetooth® y sus logotipos son marcas registradas propiedad de Bluetooth SIG, Inc. y cualquier uso de dichas marcas por parte de Segway-Ninebot se realiza bajo licencia. Otras marcas y nombres comerciales pertenecen a sus respectivos propietarios.

Debido a las constantes mejoras de los productos, este manual y los productos reales pueden ser ligeramente diferentes en color, apariencia, etc. Los productos reales prevalecerán cuando exista una discrepancia entre los productos reales y el manual.

©2023 Ninebot (Beijing) Technology Co., Ltd. Todos los derechos reservados.

Aviso legal

1. Antes de utilizar la Estación Eléctrica Portátil de Segway (el «Producto»), lea atentamente el manual de usuario para garantizar un uso correcto tras su completa comprensión. Después de leerlo, guarde el manual de usuario para futuras consultas. El uso incorrecto de este producto puede provocar lesiones personales graves a usted mismo o a otras personas, así como daños al producto y pérdidas materiales.
2. Al utilizar el Producto, se considera que comprende, reconoce y acepta plenamente todos los términos y contenidos de este documento. El usuario asume la responsabilidad de sus actos y de todas las consecuencias derivadas del uso del Producto. Segway no se hace responsable de ninguna reclamación, responsabilidad o pérdida relacionada con tales consecuencias si se deben a que el usuario ha aceptado correr ese riesgo.
3. No permita que lo utilicen personas que no hayan leído atentamente este manual o que no estén familiarizadas con el uso adecuado y las precauciones de seguridad del Producto.
4. Al recibir el Producto, inspeccione inmediatamente si el producto y sus accesorios están intactos y completos. Todos los accesorios deben utilizarse de acuerdo con el manual de instrucciones.
5. Advertencia: Cualquier degradación del rendimiento de la batería o incapacidad para funcionar correctamente causada por el uso y mantenimiento inadecuados de la batería por parte del usuario no está cubierta por la Garantía Limitada.
6. En la medida en que lo permita la ley, Segway se reserva el derecho de proporcionar la interpretación y explicación finales de esta declaración.

Esta declaración legal se registrará por las leyes del estado en el que esté instalado su Producto, excepto en la medida en que sean incompatibles con la ley federal o se opongan a ella. Segway no será responsable de las reclamaciones, responsabilidades o pérdidas resultantes de la violación por parte del consumidor de la declaración anterior.

Usted puede optar por aceptar las condiciones anteriores y utilizar el producto en consecuencia o proceder con el proceso de devolución de acuerdo con la Garantía Limitada. Al devolver el Producto, asegúrese de que el Producto y el embalaje estén intactos para evitar que afecte a la reventa.

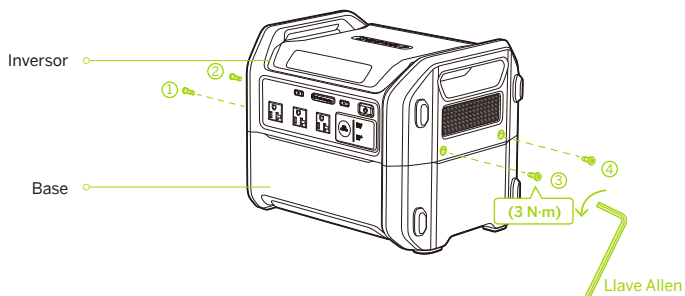
Si tiene intención de revender o regalar el Producto, recuerde incluir esta declaración legal, ya que forma parte integrante del Producto.

Si tiene alguna pregunta o necesita ayuda, Segway está a su servicio.

Una vez más, le agradecemos que haya elegido y confiado en nuestro Producto.

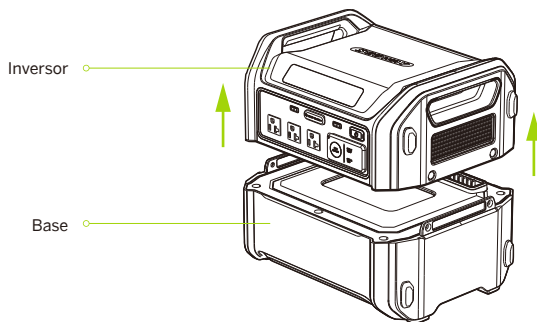
Apéndice: Ampliación de la batería

- 1 Afloje los cuatro tornillos con la llave Allen de 3 mm (7/64").

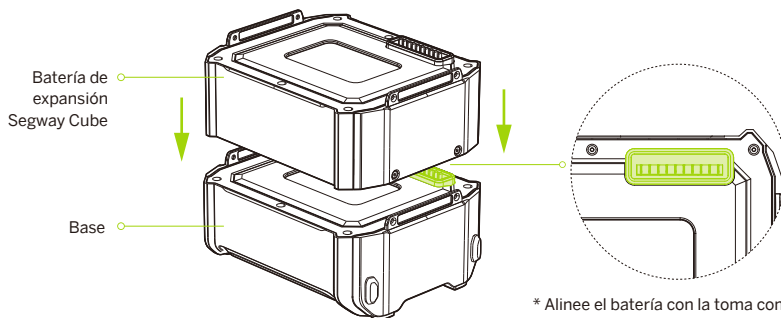


* ¡No utilice una herramienta eléctrica para aflojar los tornillos!

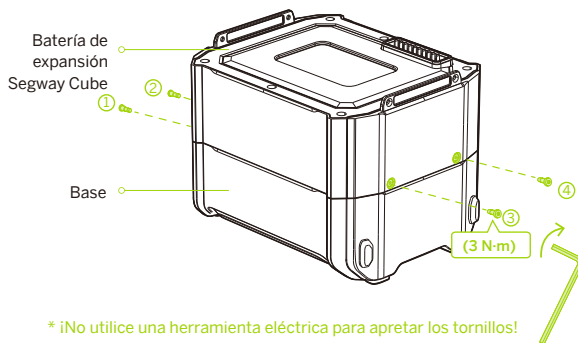
- 2 Separe el inversor y la base.



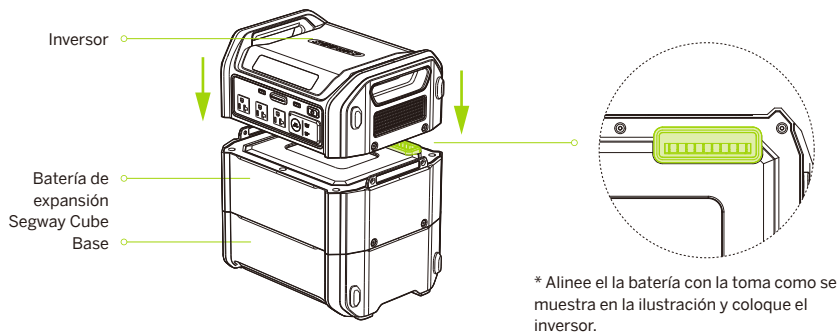
3 Coloque la batería en la base.



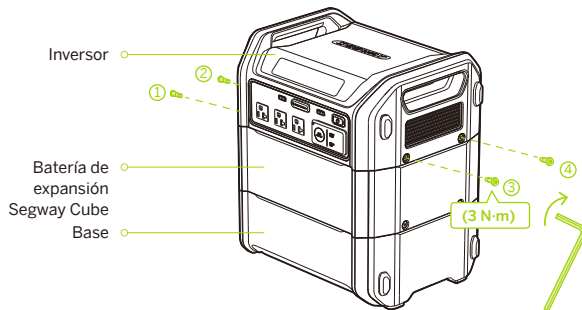
4 Apriete los cuatro tornillos.



5 Coloque el inversor sobre la batería.



6 Apriete los cuatro tornillos.



* ¡No utilice una herramienta eléctrica para apretar los tornillos!



Raccolta Carta

XX
CE.04.00.0833.01-B